

Test Print & Cleaning
Insure Correct Output with a Test Print
Know Before You Print



Test Print - Know Before You Print

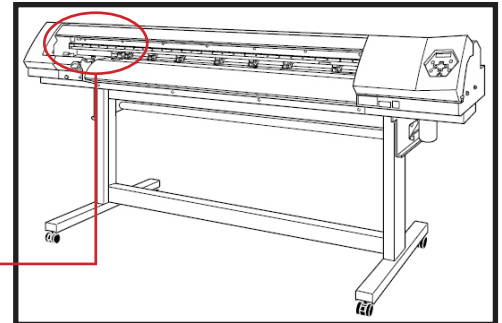
The Test Print feature allows for checking the nozzle condition before starting a print and getting unexpected results. While this seems very simple many users neglect to check this and then have prints that come out incorrectly. This is the first area to inspect if output is “banding” or otherwise does not look as expected.

Performing the Test Print

On most Roland devices there is a button on the front panel that says “**Test Print**”. Set up the media and **Press** and **Hold** the **Test Print** button until it beeps and a test print will be performed.

On the VP & RS series machines this feature is located under the **Function** button. To perform the Test Print select **Function** and then scroll to **Cleaning**, press the **Right Arrow** to enter the **Cleaning Menu** and Select “**Test Print**” and then **Press** the **Enter** key.

Note: If unsure about which model printer is being used it is printed on the left hand side of the machine on or near the cover.



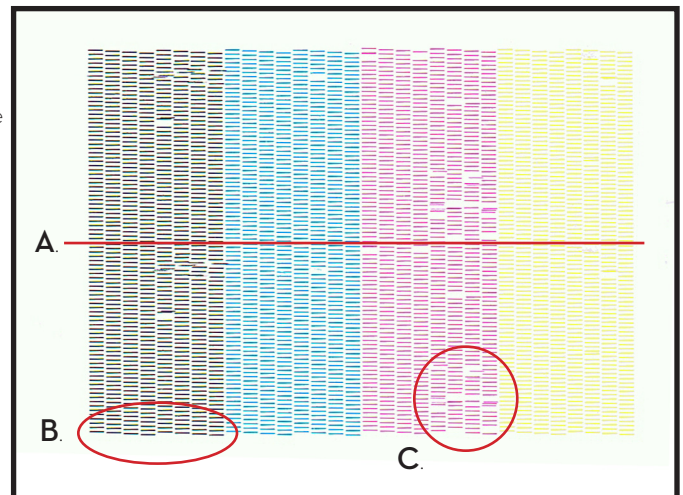
Reviewing the Test Print

Once the Test Print has been printed, it is time to check for areas that can cause print quality issues. Here are the areas to check:

A. The Test Print is actually printed in two passes. Meaning, if there are missing nozzles from the top half there will also be missing nozzles from the bottom half in the same location. Also, if there is an overlap line in the center or a gap in the center it is a result of how the Media Feed Calibration is set.

B. The top of the Test Print and the bottom are staggered, the nozzles are supposed to appear this way.

C. Missing nozzles or deflections such as these can decrease print quality.



Note: If the pattern is missing just one or two nozzles this will not likely be noticeable in the printed image. This is because the printer uses multiple passes to create each image and each space will be covered multiple times depending on what print mode you are using. Higher quality print modes have more passes making missing nozzles less noticeable.

Continued Next page

Cleaning - Know Before You Print

If there are nozzles missing the next step is to perform a cleaning. There is a Cleaning Key on the front panel of most printer models, this will perform a Normal cleaning. Roland printers feature three levels of the automated Cleaning process. They are: Normal, Medium and Powerful. Be aware that when you are performing any cleaning ink will be pulled through the system and discharged into the drain bottle.

Always be aware of the level of ink in the drain bottle as to avoid overflowing.

Note: Pro Series Printers allow cleaning by groups A, B or C. This allows cleaning to occur on only the colors effected meaning no ink will be used from the channels not selected. See the User's Manual for additional information on this process.

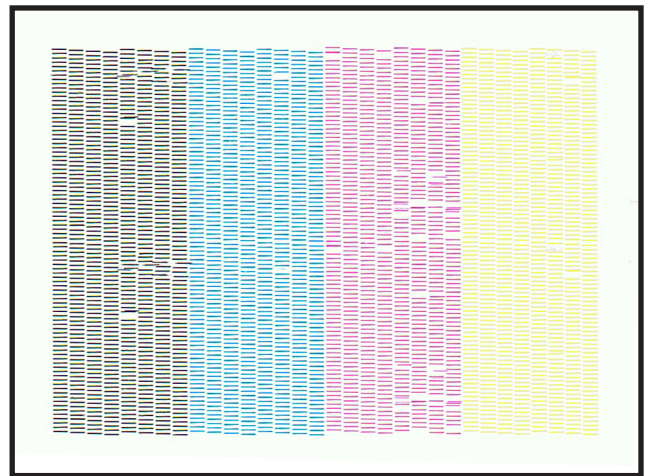
Normal Cleaning

On most machines there is a button on the front panel that says **"Cleaning"**. Set up your media and **Press** and **Hold** the **Cleaning** button until it beeps and a **Normal Cleaning** will be performed on all colors.

On the VP & RS series machines this feature is located under the **Function** button. Select **Function** and to scroll to **Cleaning**, press the **Right Arrow** to enter the **Cleaning Menu** and Select **"Normal"** and press the **Press Enter** key.

The **Normal Cleaning** should be used when 20% or less of the nozzles are missing, such as the image shown.

Note: **Normal Cleaning** consumes the least amount of ink of all the cleaning processes. It evacuates the ink that is in the head chamber only. In the event the **Normal Cleaning** does not clear the issue try another **Normal Cleaning** before moving on to the **Medium Cleaning**.



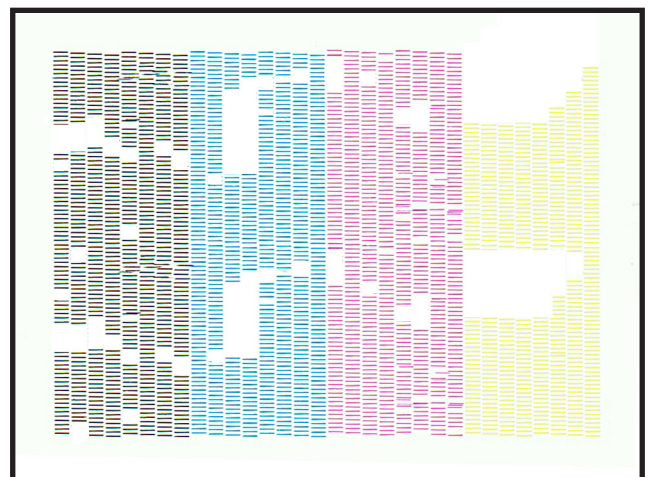
Medium Cleaning

To access the **Medium Cleaning** process press the **Menu** key and scroll to **Cleaning**. Press the **Right Arrow** to enter the **Cleaning Menu** and scroll down to **Medium Cleaning** and press **Enter**.

On the VP & RS series machines this feature is located under the **Function** button. Select **Function** and to scroll to **Cleaning**, press the **Right Arrow** to enter the **Cleaning Menu** and Select **"Medium"** and Press the **Enter** key.

The **Medium Cleaning** should be used when 40% or less of the nozzles are missing, such as the image shown.

Note: **Medium Cleaning** evacuates the ink that is in the head chamber and dampers, the ink reservoir located on top of the head. In the event the **Medium Cleaning** does not clear the issue try two or three more **Medium Cleanings** before moving on to the **Powerful Cleaning**.



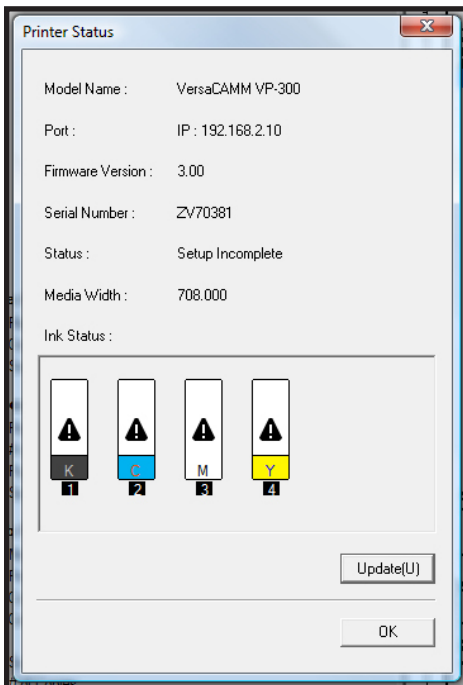
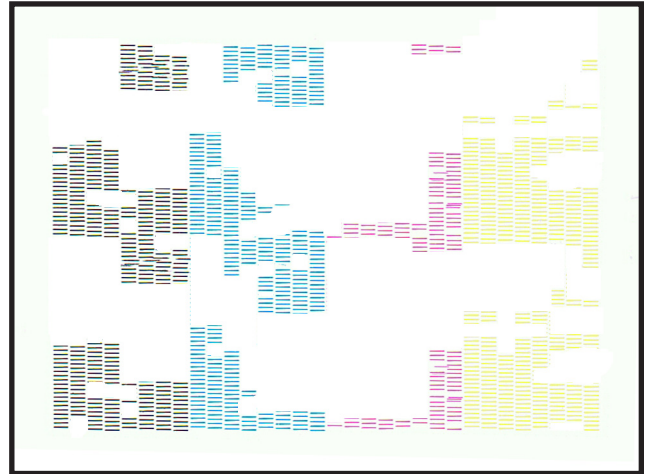
[Continued Next Page](#)

Powerful Cleaning

To access the **Powerful Cleaning** process press the **Menu** key and scroll to **Cleaning**. Press the **Right Arrow** to enter the **Cleaning Menu** and scroll down until **Powerful Cleaning** and press **Enter**.

On the VP & RS series machines this feature is located under the **Function** button. Select **Function** and then scroll to **Cleaning**, press the **Right Arrow** to enter the **Cleaning Menu** and Select **“Powerful”** and Press **Enter**.

The **Powerful Cleaning** should be used when 40% or more of the nozzles are missing, such as the image shown.



Note: Powerful Cleaning evacuates the ink that is in the head chamber, dampers (the ink reservoir on top of the head) and ink lines. This is a substantial amount of ink and it will be replenished from the ink cartridges so it is important to be aware of the ink levels in the cartridges when starting this process. Ink levels can be checked in **Versaworks** by going to **Printer** and selecting **Printer Status**. The window on the left will be shown. If there are exclamation marks like the ones shown here it is definitely important to have back up inks on hand in order to avoid down time without ink. In the event the **Powerful Cleaning** does not clear the issue try moving on to the **Manual/Maintenance Cleaning**.

Manual/Maintenance Cleaning

When the automated cleaning process isn't successful it is time to perform the **Maintenance Cleaning**. Follow the prompts in your **User Manual** or download the **Maintenance Cleaning Video or Document** from www.rolanddga.com. This is the same cleaning process which should be carried out on a regular basis.

Further Support

Should further support be needed or any additional questions arise about the processes in this document please contact your local supporting dealer. As always, thank you for choosing Roland!