

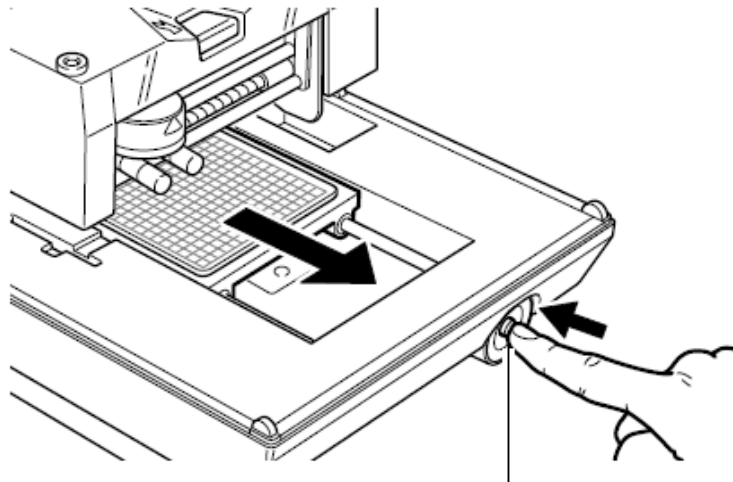
Support Bulletin: RASD-SB00026  
Model: Roland MPX-70  
Subject: Cleaning the Adhesive Sheet  
Date: 6/7/2007  
Author: JG

---

This document covers the proper way to clean the adhesive sheet of your MPX-70. By keeping your adhesive sheet clean you will avoid lines caused by movement of materials when impacting.

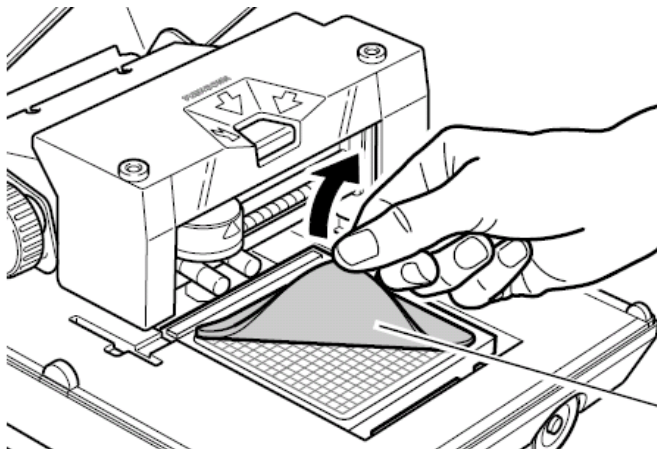
#### Procedure

1. Press the Power/Movement button to move the table to the front of the MPX-70. Once the table is at the front, push and hold the button again to turn off the unit.



**Power/Movement button**

2. Peel off the adhesive sheet from the table by grasping one of the front edges of the adhesive sheet and pulling up.

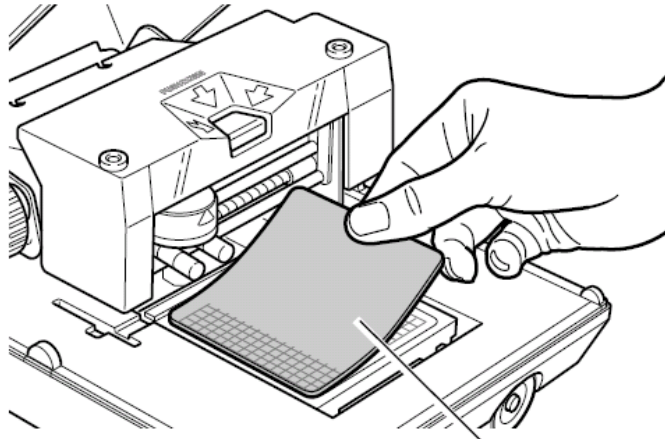


**Adhesive sheet**

Support Bulletin: RASD-SB00026  
Model: Roland MPX-70  
Subject: Cleaning the Adhesive Sheet  
Date: 6/7/2007  
Author: JG

---

3. Take the adhesive sheet over to a sink area and apply some mild dish washing liquid soap. Gently stroke the surface of the sheet with your fingers to lather it. Rinse thoroughly with water to remove all liquid soap completely.
4. Allow the adhesive sheet to dry completely; do not place in direct sunlight. Do not reinstall the sheet on the table while still wet.
5. Once dry, place the adhesive sheet on the table by holding it from one corner of the sheet and laying it down on the table. Make sure to place it straight, covering the preprinted grid on the table.



### **Adhesive sheet**

6. Now press down gently on the adhesive sheet making sure not to allow any air bubbles to form between the adhesive sheet and table. This will help in keeping the adhesive sheet in full contact with the table.

