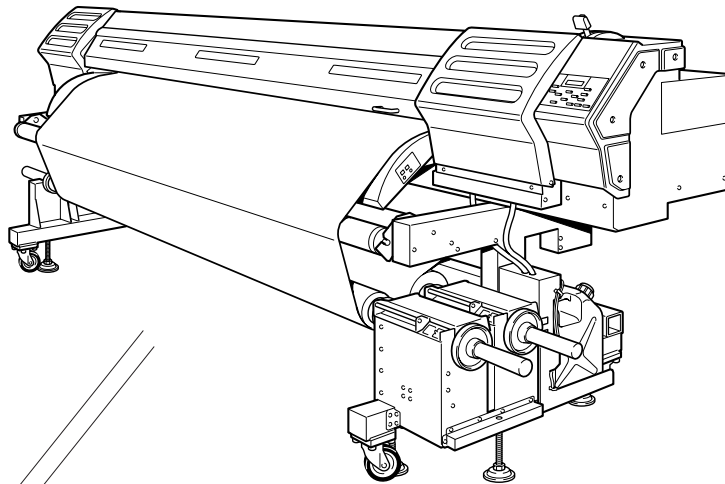


SOLJET PRO II V
Sign Maker by Roland DG Corporation

SJ-1045EX

Setup Guide





Read this first.

This describes the setup tasks and important conditions about the installation location that must be met in order to enable use of this machine.

Thank you very much for purchasing this product.

- To ensure correct and safe usage with a full understanding of this product's performance, please be sure to read through this manual completely and store it in a safe location.
- Unauthorized copying or transferral, in whole or in part, of this manual is prohibited.
- The contents of this operation manual and the specifications of this product are subject to change without notice.
- The operation manual and the product have been prepared and tested as much as possible. If you find any misprint or error, please inform us.
- Roland DG Corp. assumes no responsibility for any direct or indirect loss or damage which may occur through use of this product, regardless of any failure to perform on the part of this product.
- Roland DG Corp. assumes no responsibility for any direct or indirect loss or damage which may occur with respect to any article made using this product.

Contents

 To Ensure Safe Use	3
 Pour utiliser en toute sécurité	11
Setup Guide	19
1. Installation	20
Emplacement and Installation Operations	20
Deciding On an Installation Site	21
Temperature and Humidity	22
Power Supply	22
Installation Space	22
2. Included Items	23
3. Removing the Packing Materials	24
4. Attaching the Included Items and Connecting the Cables	26
Installing the Drain Bottle	26
Connecting the Cables	28
5. Installing the Ink Cartridges	30
Filling with Ink for the First Time	30
Installing the Ink Cartridges	30

Company names and product names are trademarks or registered trademarks of their respective holders.

Copyright© 2005 Roland DG Corporation



<http://www.rolanddg.com/>

 ***To Ensure Safe Use***







To Ensure Safe Use

Improper handling or operation of this machine may result in injury or damage to property. Points which must be observed to prevent such injury or damage are described as follows.

About WARNING and CAUTION Notices

 WARNING	Used for instructions intended to alert the user to the risk of death or severe injury should the unit be used improperly.
 CAUTION	Used for instructions intended to alert the user to the risk of injury or material damage should the unit be used improperly. * Material damage refers to damage or other adverse effects caused with respect to the home and all its furnishings, as well to domestic animals or pets.

About the Symbols

	The  symbol alerts the user to important instructions or warnings. The specific meaning of the symbol is determined by the design contained within the triangle. The symbol at left means "danger of electrocution."
	The  symbol alerts the user to items that must never be carried out (are forbidden). The specific thing that must not be done is indicated by the design contained within the circle. The symbol at left means the unit must never be disassembled.
	The  symbol alerts the user to things that must be carried out. The specific thing that must be done is indicated by the design contained within the circle. The symbol at left means the power-cord plug must be unplugged from the outlet.

Incorrect operation may cause injury

WARNING



Be sure to follow the operation procedures described in this manual.

Failure to follow the procedures may cause sudden operation or the like of the machine, which may result in unexpected injury.



Never allow anyone unfamiliar with the usage or handling of the machine to touch the machine.

Touching a dangerous location may cause sudden operation or the like of the machine, which may lead to an unexpected accident.



Never allow children near the machine.

The machine includes locations and components that pose a danger to children, and major accident, including injury, blindness, or choking, may occur.



Do not disassemble, repair, or modify.

Doing so may lead to fire or abnormal operation resulting in injury.

⚠ **This machine weighs 600 kg (1350 lb.). Media weighs 100 kg (220 lb.)**

⚠ WARNING

⊘ **Never attempt to perform operations such as installation or relocation yourself.**

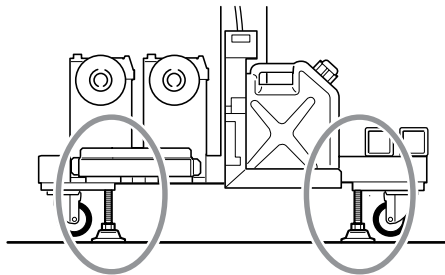
This machine weighs approx. 455 kg (up to approx. 600 kg (1350 lb.), including media and the like), and moving it requires special equipment and training. Performing operations in an unreasonable manner may result in a major accident.

! **Install the machine in a location that is level, stable, and able to bear the weight of the machine.**

This machine weighs approx. 455 kg (up to approx. 600 kg (1350 lb.), including media and the like). Installation in an unsuitable location may cause a major accident, including tipover, fall, or collapse.

! **After installation, keep the stand secured in place using the adjusters.**

This machine weighs approximately 455 kg (up to approx. 600 kg (1350 lb.), including media and the like). If the machine should begin to topple, the tipover cannot be stopped with human strength, and a major accident may result, including crushing of the appendages or the body.



! **When loading or moving roll media, be sure to use load-handling equipment such as a lifter and carry out operations with care to prevent falls or other accidents.**

Some roll media may weigh about 100 kg (220 lb.). Attempting manual lifting operations that tax your strength may cause physical injury. Also, if dropped, such items may cause unexpected injury, such as crushing of the feet.

! **When storing roll media, implement adequate safety measures to ensure that the stored media will not roll, fall, or topple over.**

Some roll media may weigh about 100 kg (220 lb.), and becoming pinned under such media may cause major injury.

Danger of electrical short, shock, electrocution, or fire

This machine carries a high current of a maximum of approximately 10 amperes. This can cause situations that could not occur with low-power equipment; use caution.

WARNING



Do not use with any electrical power supply that does not meet the ratings displayed on the unit.

Use with any other power supply may lead to fire or electrocution.



Never operate the machine or insert or remove its power plug with wet hands.

Doing so may result in electrical shock or electrocution.



Never allow the machine to get wet, or apply gasoline, thinner, or any other flammable material to it.

Current leakage may cause electrical shock, electrocution, or combustion and fire.



Never allow hairpins, coins, matches, or any other object to get inside the machine through the ventilation ports.

Doing so may cause an electrical short, resulting in shock or electrocution, or the inserted object may catch fire.



Never place gasoline, alcohol, thinner, or any other flammable material near the machine, or use an aerosol spray close to the machine.

Doing so may cause fire.



Never damage the power cord or pull it with force.

Doing so may tear the cord's insulation, causing an electrical short and resulting in electrical shock, electrocution, or fire.



Never place any object on the power cord, bend the power cord using excessive force, or allow the power cord to become deformed.

The cord carries a high current of approximately 10 amperes. If it becomes deformed, the deformed location may grow hot and cause fire.



Never use the machine with the power cord bound into a bundle or roll.

The cord carries a high current of approximately 10 amperes. If the cord is in a bundle or roll, it may grow hot and cause fire.



Never use any power cord other than the power cord included with the machine. Also, never use a power strip or extension cord.

The cord carries a high current of approximately 10 amperes. The power strip or extension cord may grow hot and cause fire.



Do not use with a damaged power cord or plug, or with a loose electrical outlet.

Doing so may lead to fire, electrical shock, or electrocution.



When unplugging the electrical power cord from the power outlet, grasp the plug, not the cord.

Unplugging by pulling the cord may damage it, leading to fire, electrical shock, or electrocution.



Ground the unit with the ground wire.

Failure to do so may result in risk of electrocution in the event of a mechanical problem.



In the event of an abnormal state (such as smoke or sparks, odor or burning or unusual noise), immediately unplug the power cord.

Failure to do so may result in fire, electrical shock, or electrocution. Immediately disconnect the power cord and contact your Roland DG Corp. service center.

 **Ink, cleaning liquid, and discharged fluid are flammable and toxic**

 **WARNING**



Never operate in locations such as those near an open flame or heater, or where sparking or static electricity may occur.

Ink or the like may ignite and cause fire.



Never place ink, cleaning liquid, or discharged fluid in any of the following locations.

- **Near open flame**
- **In a hot location, such as near a heater or on the machine's platen or dryer**
- **Near bleach, chemicals, explosives, or the like**

Doing so may cause fire.

 **CAUTION**



Ensure adequate ventilation for the work area.

Odor from ink and the like may cause physical distress, or may cause to fire.



Never drink or sniff ink, cleaning liquid, or discharged fluid, or allow them to come in contact with the eyes or skin.

Doing so may be hazardous to your health.



Store ink cartridges in a location out of the reach of children.

 **In the Event of Ingestion or Physical Distress**

- In the event of contact with the eyes, immediately flush with running water for at least 15 minutes. If eye irritation continues, seek treatment by a physician.
- In the event of contact with skin, immediately wash with soap. If irritation or inflammation occur, seek treatment by a physician.
- In the event of ingestion, do not induce vomiting, and immediately seek treatment by a physician. Forcibly inducing vomiting may lead to danger of choking.
- If odor leads to physical distress, move to a well-ventilated location and rest quietly. If dizziness or nausea persists, seek treatment by a physician.

Danger of fire, burns, or toxic gas emissions

WARNING



This machine has high-temperature areas (platen and dryer). Exercise caution to avoid fire or burns.



Never leave media loaded in the machine when printing is not being performed.

The continued application of heat at a single location may cause fire or produce toxic gases. When printing is not being performed, switch off the power or remove any loaded media.



Never use media that cannot withstand the heat.

Doing so may result in fire or the release of toxic gases, or may degrade the media.



Never use the platen or dryer for any purpose for which they are not intended, such as to dry clothing.

Doing so may cause overheating, resulting in fire or accident.

Important Notes Regarding Operators and the Work Area

WARNING



Never operate the machine when tired or after ingesting alcohol or medications.

Operation requires lifting heavy objects and unimpaired judgment, and unexpected injury may result.



Conduct operations in a clean, brightly lit location.

Working in a location that is dark or cluttered can be hazardous. Operations in such locations may cause an accident, such as tripping and becoming pinned under the roll media.

CAUTION



Never attempt operation while wearing a necktie, necklace, loose clothing, or the like. Bind long hair securely.

Such items may become caught in the media take-up system or other areas, resulting in injury.

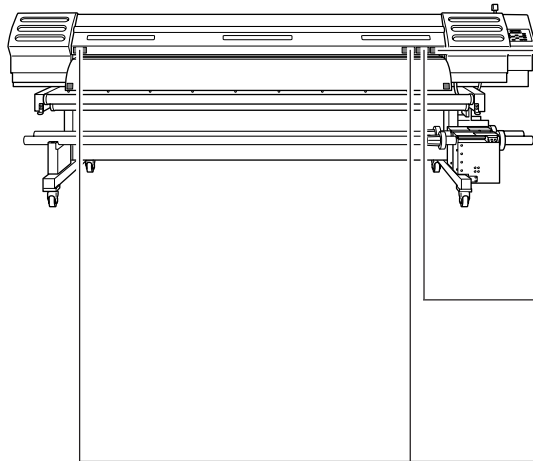


Never climb or lean on the machine.

The machine is not made to support a person. Climbing or leaning on the machine may move away components and cause a slip or fall, resulting in injury.

⚠️ Warning Labels

Warning labels are affixed to make areas of danger immediately clear. The meanings of these labels are as follows. Be sure to heed their warnings. Also, never remove the labels or allow them to become obscured.



Flammable
Ink and discharged fluid are flammable. Keep away from open flame.



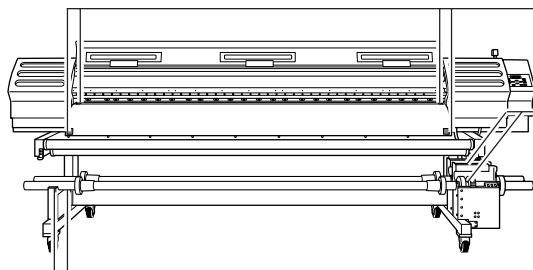
Ink Is Toxic
Ink and discharged fluid are toxic. Avoid contact with the body. Use only in a well-ventilated area.



Caution: Moving Print Heads
The print heads inside the cover move at high speed and pose a hazard. Never insert the hand or fingers into the gap.



Caution: Pinching Hazard
Be careful not to allow the fingers to become pinched when closing the cover.



Caution: High Temperature
The platen and dryer become hot. Exercise caution to avoid fire or burns.



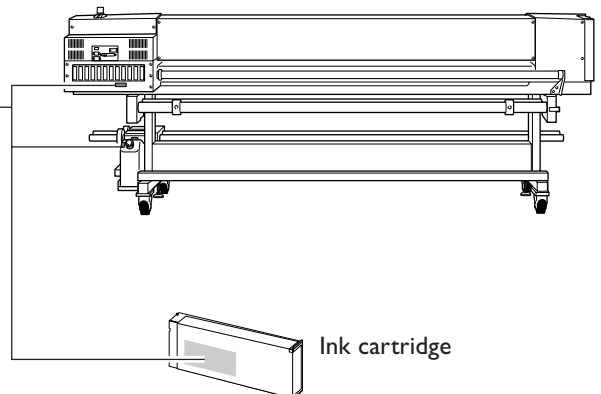
Caution: Pinching Hazard
Be careful not to allow the fingers to become pinched when loading media or closing covers.



Flammable
Ink and discharged fluid are flammable. Keep away from open flame.



Ink Is Toxic
Ink and discharged fluid are toxic. Avoid contact with the body. Use only in a well-ventilated area.







***Pour utiliser en
toute sécurité***




Pour utiliser en toute sécurité

La manipulation ou l'utilisation inadéquates de cet appareil peuvent causer des blessures ou des dommages matériels. Les précautions à prendre pour prévenir les blessures ou les dommages sont décrites ci-dessous.

Avis sur les avertissements

 ATTENTION	Utilisé pour avertir l'utilisateur d'un risque de décès ou de blessure grave en cas de mauvaise utilisation de l'appareil.
 PRUDENCE	Utilisé pour avertir l'utilisateur d'un risque de blessure ou de dommage matériel en cas de mauvaise utilisation de l'appareil. * Par dommage matériel, il est entendu dommage ou tout autre effet indésirable sur la maison, tous les meubles et même les animaux domestiques.

À propos des symboles

	Le symbole \triangle attire l'attention de l'utilisateur sur les instructions importantes ou les avertissements. Le sens précis du symbole est déterminé par le dessin à l'intérieur du triangle. Le symbole à gauche signifie "danger d'électrocution".
	Le symbole \circ avertit l'utilisateur de ce qu'il ne doit pas faire, ce qui est interdit. La chose spécifique à ne pas faire est indiquée par le dessin à l'intérieur du cercle. Le symbole à gauche signifie que l'appareil ne doit jamais être démonté.
	Le symbole \bullet prévient l'utilisateur sur ce qu'il doit faire. La chose spécifique à faire est indiquée par le dessin à l'intérieur du cercle. Le symbole à gauche signifie que le fil électrique doit être débranché de la prise.

L'utilisation incorrecte peut causer des blessures

ATTENTION



S'assurer de suivre les procédures d'utilisation décrites dans ce manuel.

Si les procédures indiquées ne sont pas suivies, le fonctionnement de l'appareil peut être déclenché soudainement, ce qui risque de causer des blessures.



Ne jamais permettre à quiconque de toucher l'appareil s'il ou si elle n'en connaît pas le fonctionnement ou la maintenance.

Toucher l'appareil à certains points dangereux peut en déclencher le fonctionnement, ce qui risque de causer un accident imprévu.



Ne jamais laisser d'enfants s'approcher de l'appareil.

Des éléments et des surfaces de l'appareil présentent des risques pour les enfants. Il pourrait se produire un accident grave qui causerait des blessures, ou créerait un risque de cécité ou de suffocation.



Ne pas démonter, réparer ni modifier.

Démonter, réparer ou modifier l'appareil risque de provoquer un incendie ou de causer un fonctionnement anormal entraînant des blessures.

⚠ **Le poids de cet appareil est de 600 kg (1350 lb.)
Le poids du support est de 100 kg (220 lb.)**

⚠ ATTENTION

⊘ **Ne jamais tenter de procéder seul à des opérations comme l'installation ou le déplacement de l'appareil.**

Le poids de cet appareil est d'environ 455 kg (jusqu'à environ 600 kg (1350 lb.), y compris le support et d'autres éléments); il faut une formation et de l'équipement spéciaux pour déplacer l'appareil. Tenter de procéder à ces opérations de manière intempestive peut provoquer un accident grave.

! **Installer l'appareil à un endroit stable et plat et capable de supporter son poids.**

Le poids de cet appareil est d'environ 455 kg (jusqu'à environ 600 kg (1350 lb.), y compris le support et d'autres éléments). Installer l'appareil à un endroit inapproprié peut provoquer un accident grave comme le renversement, la chute ou l'écrasement.

! **Une fois l'appareil installé, solidifier la base à l'aide des éléments de réglage ajustables.**

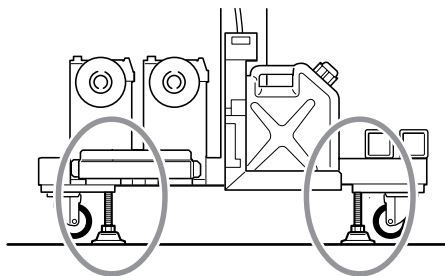
Le poids de cet appareil est d'environ 455 kg (jusqu'à environ 600 kg (1350 lb.), y compris le support et d'autres éléments). Si l'appareil commence à basculer, aucune force humaine ne peut l'empêcher de se renverser; il s'ensuivrait un accident grave, par exemple l'écrasement d'un membre ou du corps.

! **Lors du chargement ou du déplacement du support en rouleur, utiliser de l'équipement de levage comme et prendre des précautions pour éviter les chutes et autres accidents.**

Le poids de certains supports en rouleurs peut être de quelque 100 kg (220 lb.). Tenter de soulever manuellement des objets trop lourds peut causer des blessures. En outre, si ces objets sont échappés, ils peuvent causer des blessures, par exemple écraser les pieds.

! **Il faut prendre les mesures de sécurité adéquates pour l'entreposage des rouleaux de support pour s'assurer qu'ils ne rouleront pas, ne tomberont pas et ne se renverseront pas.**

Certains rouleaux de support pèsent quelque 100 kg (220 lb.), et rester coincé sous un rouleau peut causer des blessures graves.



Risque de décharge ou de choc électrique, d'électrocution ou d'incendie

Cet appareil transmet une tension élevée (maximum d'environ 10 ampères). Cela peut créer des situations qui ne se produisent pas avec de l'équipement à basse tension. La prudence est de mise.

ATTENTION



Ne pas utiliser avec une source d'alimentation électrique non conforme à la norme indiquée sur l'appareil.

Utiliser l'appareil avec une autre source d'alimentation risque de provoquer un incendie ou de causer une électrocution.



Ne jamais utiliser l'appareil, insérer la prise dans le réceptacle ou l'en enlever si on a les mains mouillées.

Il y a risque de décharge électrique ou d'électrocution.



Ne jamais permettre que l'appareil soit mouillé; ne jamais y appliquer d'essence, de diluant ni aucun matériau inflammable.

Une fuite de courant peut causer un choc électrique, l'électrocution ou la combustion et un incendie.



Ne jamais laisser des épingles à cheveux, des pièces de monnaie, des allumettes ni aucun autre objet pénétrer dans l'appareil par les orifices de ventilation.

Cela crée un risque de décharge électrique ou d'électrocution. En outre, les objets peuvent prendre feu.



Ne jamais placer de l'essence, du diluant ni aucun matériau inflammable près de l'appareil; ne jamais utiliser de produits en aérosol près de l'appareil.

Cela crée un risque d'incendie.



Ne jamais endommager le câble d'alimentation ni le tirer vigoureusement.

Cela risque de déchirer l'isolant du câble et de causer un court-circuit, ce qui aurait comme résultat un choc électrique, l'électrocution ou un incendie.



Ne jamais placer d'objets sur le cordon d'alimentation, plier le câble d'alimentation en utilisant une force excessive ni laisser le câble d'alimentation se déformer.

Le câble transmet un courant de forte intensité, soit environ 10 ampères. Si le câble se déforme, la section affectée peut surchauffer et causer un incendie.



Ne jamais utiliser l'appareil si le câble d'alimentation est attaché ou enroulé.

Le câble transmet un courant de forte intensité, soit environ 10 ampères. S'il est attaché ou enroulé, il peut surchauffer et causer un incendie.



Ne jamais utiliser un cordon d'alimentation autre que celui qui est fourni avec l'appareil. Ne jamais non plus utiliser de bande d'alimentation électrique ni de rallonge.

Le câble transmet un courant de tension élevée (environ 10 ampères). La bande d'alimentation ou la rallonge peuvent surchauffer et causer un incendie.



Ne pas utiliser si le fil ou la fiche électriques sont endommagés; ne pas brancher dans une prise mal fixée.

Négliger de suivre cette consigne risque de provoquer un incendie ou de causer une décharge électrique ou une électrocution.



Pour débrancher l'appareil, saisir la fiche et non le fil électrique.

Tirer sur le fil peut l'endommager, ce qui risque de provoquer un incendie ou de causer une décharge électrique ou une électrocution.

ATTENTION



Mettre l'appareil à la terre avec le fil de mise à la terre.

Ne pas respecter cette consigne peut créer un risque d'électrocution en cas de panne mécanique.



S'il se produit quoi que ce soit d'anormal (fumée, étincelles, odeur, combustion ou bruit inhabituel), débrancher immédiatement le câble d'alimentation.

Le défaut de ce faire peut entraîner un incendie, un choc électrique ou l'électrocution. Débrancher immédiatement le câble d'alimentation et communiquer avec le Centre de services Roland DG.

L'encre, les liquides nettoyants et les liquides usés sont inflammables et toxiques

ATTENTION



Ne jamais utiliser l'appareil près d'une flamme nue ou d'un appareil de chauffage ou dans des endroits où la production d'étincelles ou d'électricité statique peut survenir.

L'encre ou les autres produits combustibles peuvent s'enflammer et causer un incendie.



Ne jamais placer d'encre, de liquide de nettoyage ou des liquides usés dans les endroits suivants :

- > près d'une flamme nue
- > dans un endroit chaud, par exemple près d'un appareil de chauffage, sur la platine ou la surface de séchage de l'appareil;
- > près de javellisants, de produits chimiques, d'explosifs ou d'autres produits semblables

Cela crée un risque d'incendie.

PRUDENCE



S'assurer que le lieu de travail est bien aéré.

L'odeur de l'encre et des autres produits peut causer des troubles physiques ou provoquer un incendie.



Ne jamais boire l'encre, le liquide de nettoyage ni les liquides usés, ne pas en respirer les vapeurs et ne pas laisser les produits entrer en contact avec les yeux ou la peau.

Cela est dangereux pour la santé.



Entreposer les cartouches dans un endroit hors de la portée des enfants.

En cas d'ingestion ou de trouble physique

- > En cas de contact avec les yeux, rincer immédiatement et abondamment à l'eau courante pendant au moins 15 minutes. Si les yeux sont toujours irrités, consulter un médecin.
- > En cas de contact avec la peau, laver immédiatement à l'eau et au savon. Si la peau devient irritée ou inflammée, consulter un médecin.
- > En cas d'ingestion, ne pas provoquer le vomissement et demander immédiatement l'aide d'un médecin. Provoquer le vomissement peut créer un risque de suffocation.
- > Si l'odeur cause un trouble physique, amener la personne dans un endroit bien aéré et la faire se reposer. Si l'étourdissement ou les nausées persistent, consulter un médecin.

Risque d'incendie, de brûlures ou d'émissions de gaz toxiques

ATTENTION



Certaines surfaces de cet appareil atteignent des températures élevées (platine et surface de séchage). Prendre des précautions pour éviter un incendie ou des brûlures.



Ne jamais laisser de support dans l'appareil quand aucune impression n'est en cours.

L'application continue de chaleur au même endroit peut provoquer un incendie ou l'émission de gaz toxiques. Quand l'appareil n'est pas utilisé, couper l'alimentation ou retirer les supports qui y sont chargés.



Ne jamais utiliser un support qui ne peut pas supporter la chaleur.

L'utilisation de supports qui ne supportent pas la chaleur peut causer un incendie, provoquer l'émission de gaz toxiques ou affecter le support.



Ne jamais utiliser la platine et la surface de séchage à des fins autres que celles pour lesquelles ils sont conçus, par exemple, ne pas les utiliser sécher des vêtements.

L'utilisation à ces fins risque de causer une surchauffe et de provoquer un incendie ou un accident.

Remarques importantes sur les opérateurs et le lieu de travail

ATTENTION



Ne jamais faire fonctionner l'appareil en état de fatigue, ni après avoir consommé de l'alcool ou des médicaments.

L'utilisation de l'appareil exige que l'opérateur soulève des objets lourds; par conséquent, l'opérateur peut se blesser s'il n'est pas en possession de tous ses moyens.



Utiliser l'appareil dans un endroit propre et bien éclairé.

Travailler dans un endroit sombre ou encombré peut créer des risques. Utiliser l'appareil dans de tels endroits risque de causer un accident, par exemple un faux pas, une chute et rester coincé sous le rouleau de support.

PRUDENCE



Ne jamais faire fonctionner l'appareil si on porte une cravate, un collier, des vêtements amples ou autres du même genre. Bien attacher les cheveux longs.

Les cravates, colliers, vêtements amples ou cheveux peuvent être entraînés dans le système d'alimentation du support ou par d'autres éléments, ce qui risque de causer des blessures.

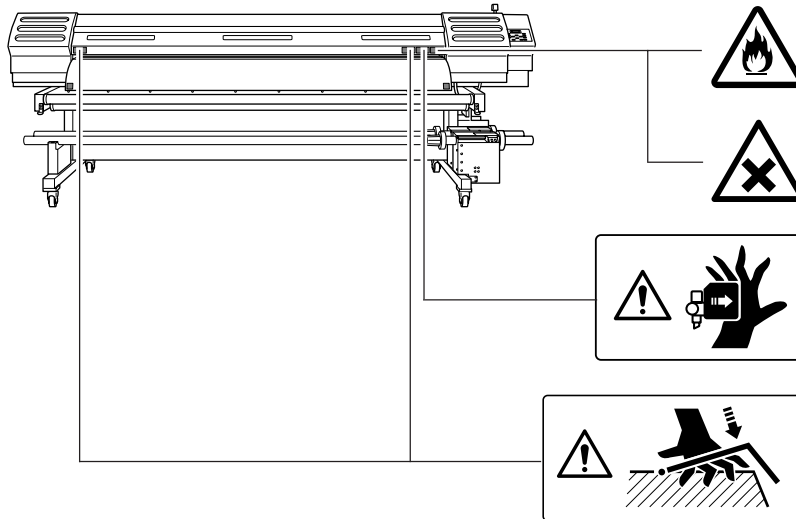


Ne jamais grimper ni s'appuyer sur l'appareil.

L'appareil n'est pas conçu pour supporter le poids d'une personne. Grimper ou s'appuyer sur la machine peut déplacer des éléments et causer un faux pas ou une chute, ce qui causerait des blessures.

⚠ Vignettes d'avertissement

Des vignettes d'avertissement sont apposées pour qu'il soit facile de repérer les zones dangereuses. La signification des vignettes est donnée ci-dessous. Respecter les avertissements. Ne jamais retirer les vignettes et ne pas les laisser s'encrasser.



Inflammable

L'encre et les liquides usés sont inflammables. Les garder loin de toute flamme nue.

L'encre est toxique

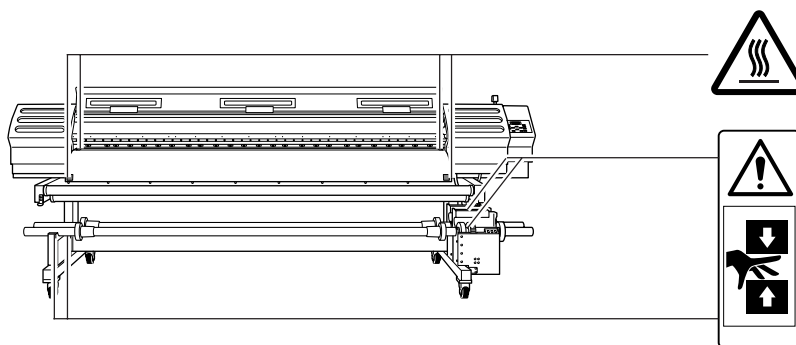
L'encre et les liquides usés sont toxiques. Éviter tout contact avec le corps. Utiliser uniquement dans un endroit bien aéré.

Attention : Têtes d'impression mobiles

Les têtes d'impression sous le couvercle se déplacent à haute vitesse et représentent un danger. Ne jamais insérer la main ou les doigts dans l'ouverture.

Attention : Risque de pincement

Faire attention de ne pas coincer les doigts lors de la fermeture du couvercle.



Attention : Température élevée

La platine et la surface de séchage chauffent. Être prudent pour éviter un incendie ou des brûlures.

Attention : Risque de pincement

Faire attention de ne pas coincer les doigts pendant le chargement du support ou lors de la fermeture du couvercle.



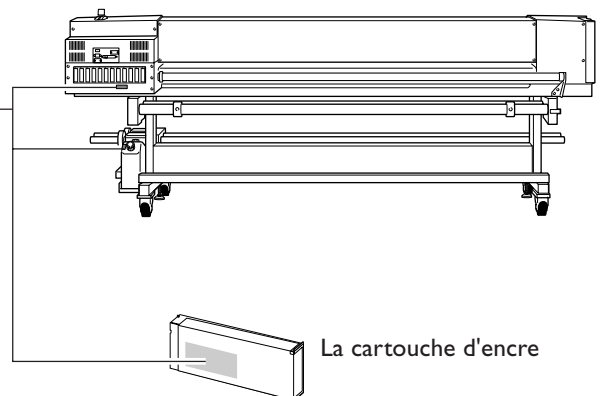
Inflammable

L'encre et les liquides usés sont inflammables. Les garder loin de toute flamme nue.



L'encre est toxique

L'encre et les liquides usés sont toxiques. Éviter tout contact avec le corps. Utiliser uniquement dans un endroit bien aéré.



La cartouche d'encre

Setup Guide

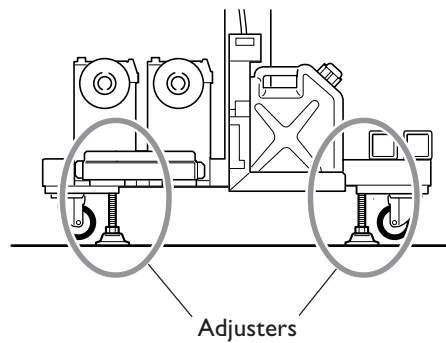
I. Installation

Emplacement and Installation Operations

Emplacement and installation of the machine are to be carried out by a service technician.

⚠ WARNING **Never attempt to perform operations such as installation or relocation yourself.** This machine weighs approx. 455 kg (up to approx. 600 kg (1350 lb.), including media and the like), and moving it requires special equipment and training. Performing operations in an unreasonable manner may result in a major accident.

⚠ WARNING **After installation, keep the stand secured in place using the adjusters.** This machine weighs approximately 455 kg (up to approx. 600 kg (1350 lb.), including media and the like). If the machine should begin to topple, the tipover cannot be stopped with human strength, and a major accident may result, including crushing of the appendages or the body.



Deciding On an Installation Site

Install in a quiet, stable location offering good operating conditions. An unsuitable location can cause accident, fire, faulty operation, or breakdown.

⚠️ WARNING **Install the machine in a location that is level, stable, and able to bear the weight of the machine.**

This machine weighs approx. 455 kg (up to approx. 600 kg (1350 lb.)), including media and the like). Installation in an unsuitable location may cause a major accident, including tipover, fall, or collapse.

⚠️ WARNING **Never install in a location exposed to water or to gasoline, thinner, or any other flammable material.**

Current leakage may cause electrical shock, electrocution, or combustion and fire.

⚠️ WARNING **Never place gasoline, alcohol, thinner, or any other flammable material near the machine. Also, never use an aerosol spray near the machine.**

Doing so may cause fire.

⚠️ WARNING **Never operate in a location such as one near an open flame or heater, or where sparking or static electricity may occur.**

Ink or the like may ignite and cause fire.

⚠️ WARNING **Install in a clean, brightly lit location.**

Working in a location that is dark or cluttered can be hazardous. Operations in such locations may cause an accident, such as tripping and becoming pinned under the roll media.

⚠️ CAUTION **Install in a location that can be ventilated.**

Odor from ink and the like may cause physical distress, or may cause to fire.

Unsuitable Installation Sites

- Locations subject to large fluctuations in temperature or humidity
- Locations subject to shaking or vibration
- Locations where the floor is tilted, not level, or unstable
- Dusty locations
- Locations exposed to direct sunlight or near air-conditioning or heating equipment
- Locations exposed to water or moving air
- Locations exposed to considerable electrical or magnetic noise, or other forms of electromagnetic energy

I. Installation

Temperature and Humidity

Maintain the specified temperature and humidity even when the machine is not in use. Temperatures that are too high may degrade the ink and cause malfunction. Temperatures that are too low may cause the ink to freeze and damage the heads.

During operation: Temperature 20 to 32°C (68 to 89.6°F), relative humidity 35 to 80% (no condensation)

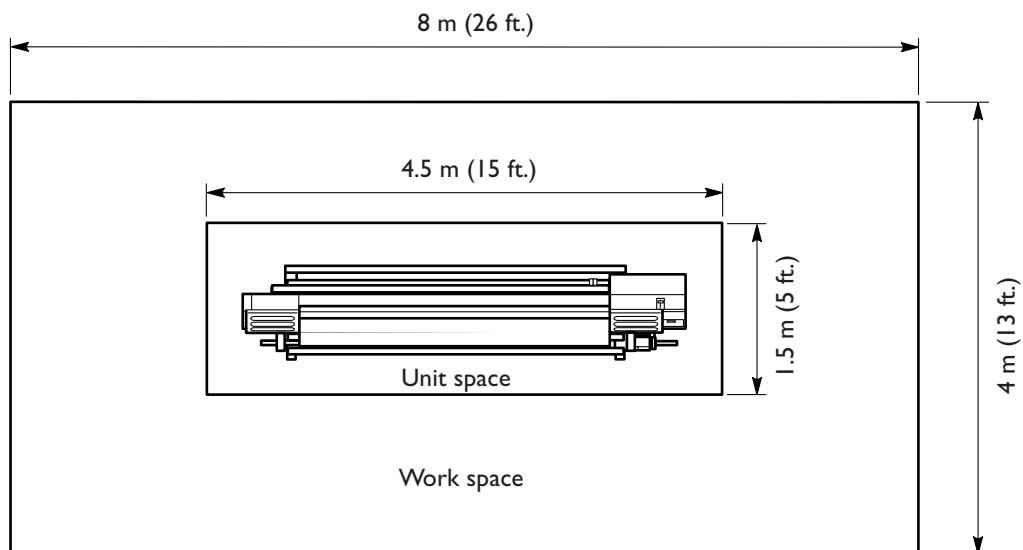
During nonoperation: Temperature 5 to 40°C (41 to 104°F), relative humidity 20 to 80% (no condensation)

Power Supply

This machine requires a 200 to 240-V single-phase commercial-use power supply (capacity of 10 A or more, including the dryer).

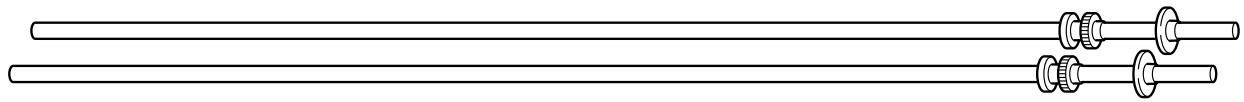
Installation Space

The space shown in the figure is required in order to use this machine.

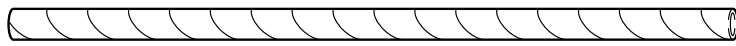


2. Included Items

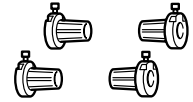
The following items are included with the machine. Make sure they are all present and accounted for.



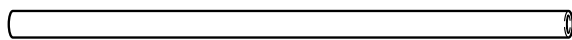
Roll shafts



Paper pipe



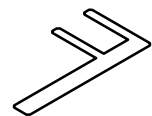
End caps



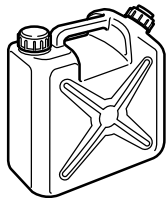
Media reinforcement pipe



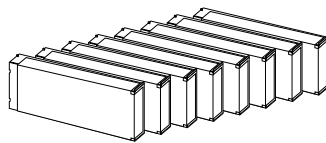
Spacers



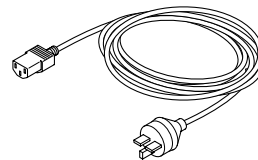
Media gauge



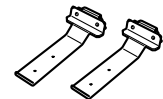
Drain bottle



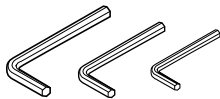
SOL INK cleaning cartridges



Power cord (*1)



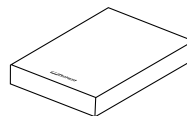
Media clamps



Hexagonal wrenches
(large, medium, small) (*2)



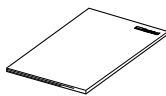
Cap-unit tool



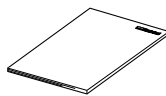
Software RIP set



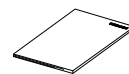
Roland-PrintServer CD-ROM



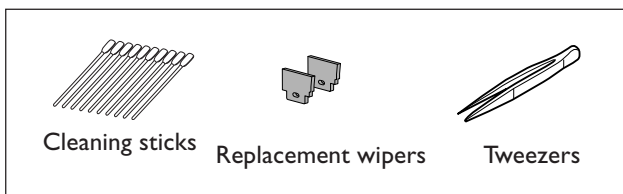
User's Manual



Setup Guide
(this document)



Roland-PrintServer
Network Setup Guide



Cleaning sticks

Replacement wipers

Tweezers

Cleaning kit

*1 The shape of the power cord may vary according to locality.

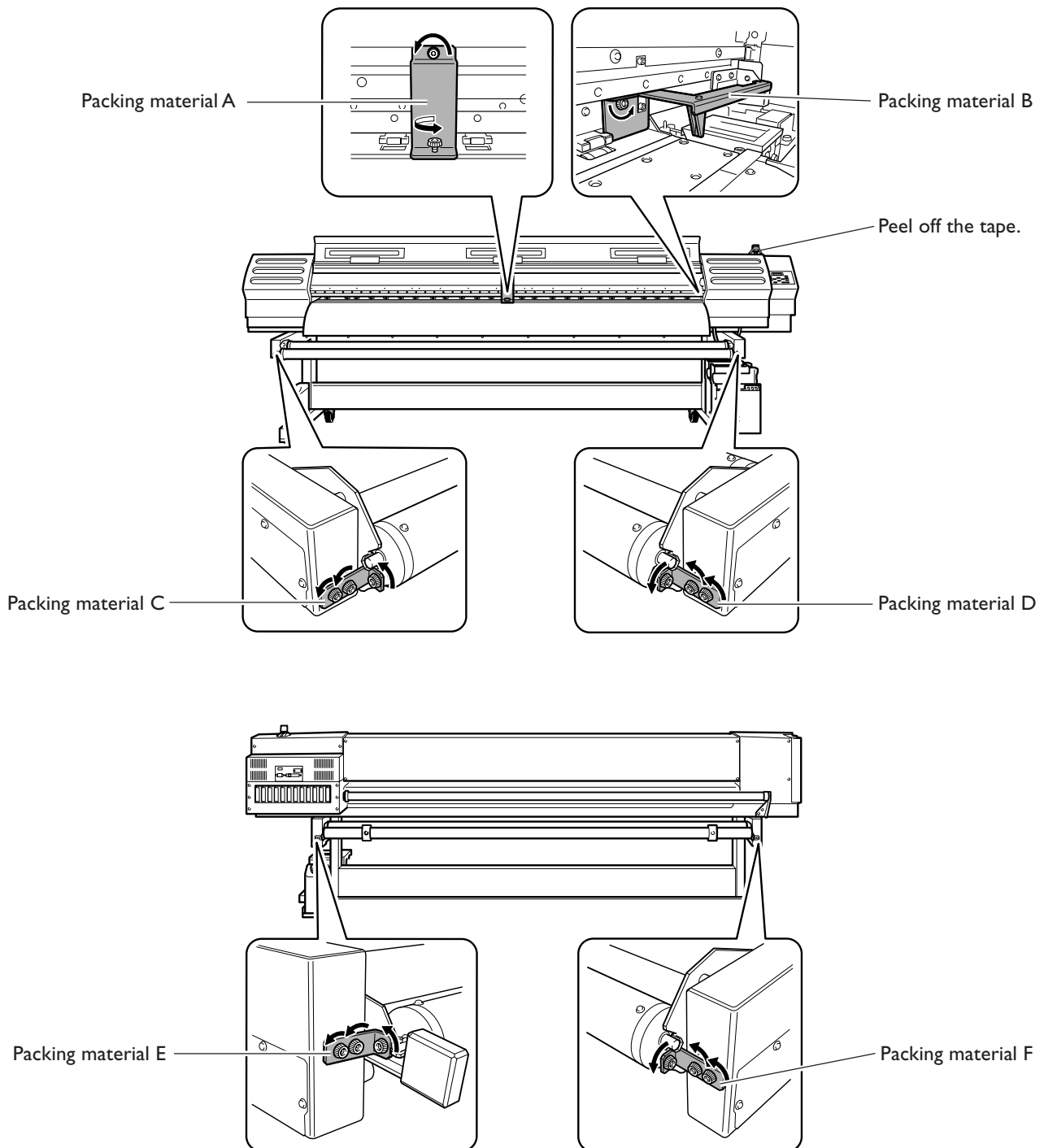
*2 The medium and small wrenches are used when installing or moving the unit.

3. Removing the Packing Materials

Tape and packing materials are attached to the machine to protect it from vibration during transportation. When installation is complete, remove these.

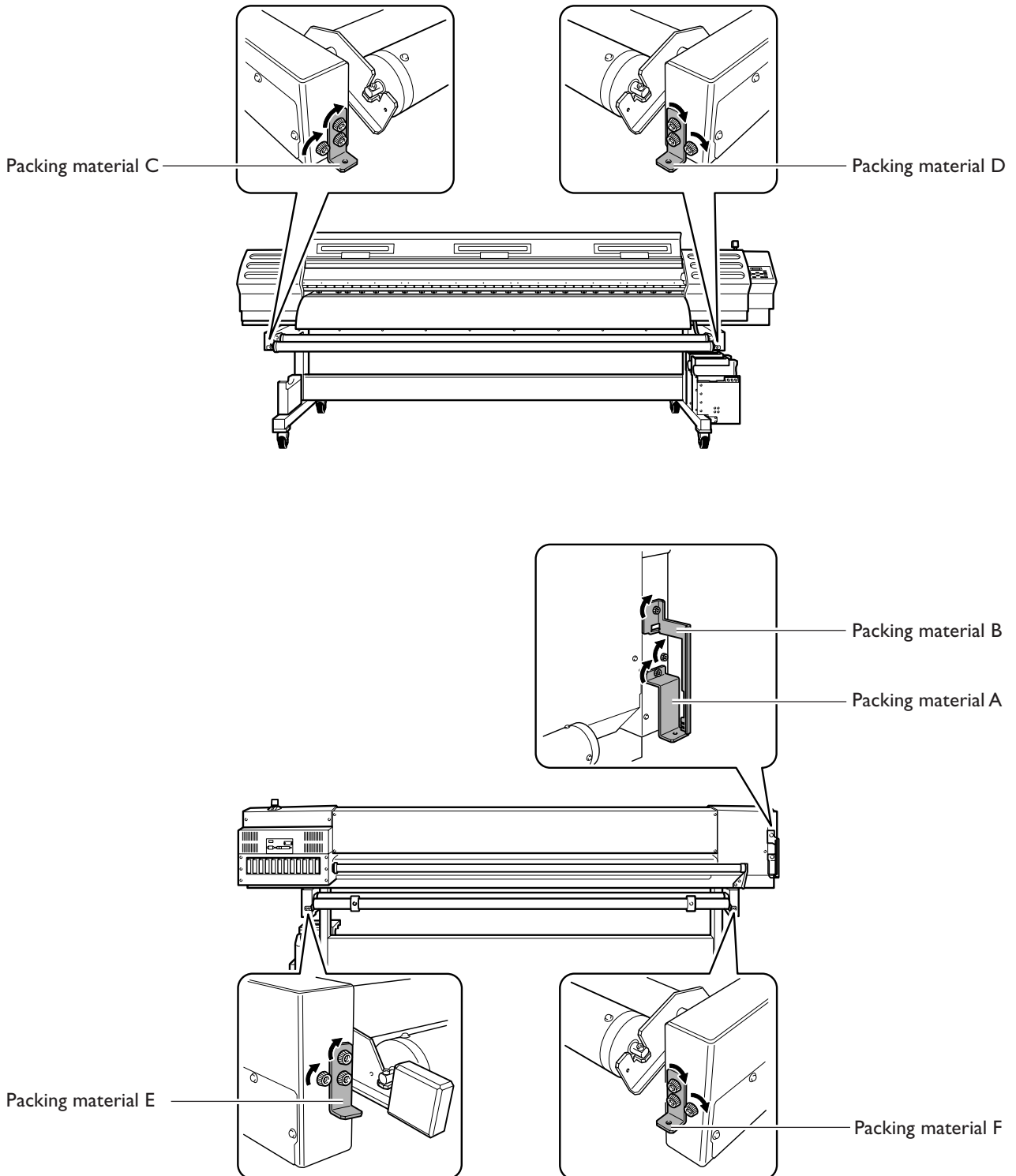
⚠ CAUTION Perform this task with all power switches left switched off. Otherwise sudden movement of the machine may cause injury.

- Remove all packing materials. Any that remain may cause faulty operation or breakdown when the power is switched on.
- Store the packing materials carefully, because they are needed again when transporting the machine for relocation or the like.



3. Removing the Packing Materials

You can attach the removed packing materials at the location shown in the figure for storage.



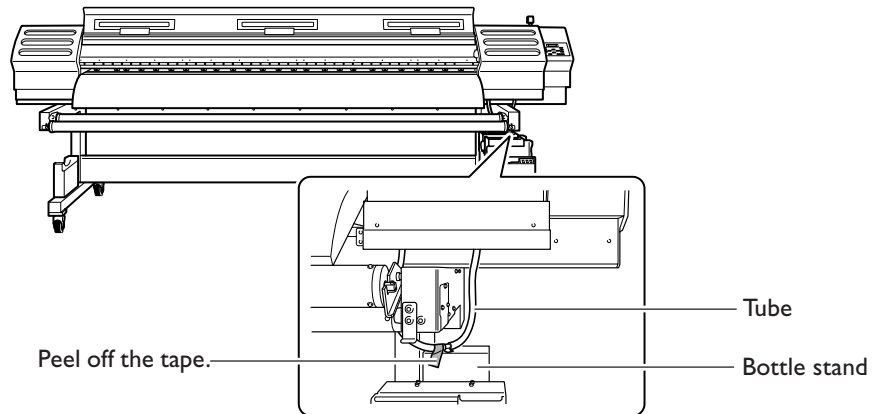
4. Attaching the Included Items and Connecting the Cables

Installing the Drain Bottle

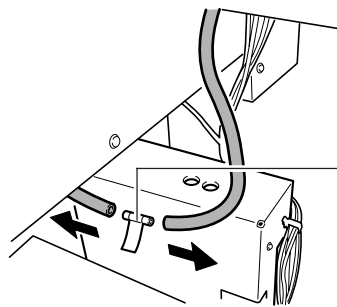
⚠ CAUTION Perform this task with all power switches left switched off. Otherwise sudden movement of the machine may cause injury.

1. Insert the tube into the bottle stand.

1



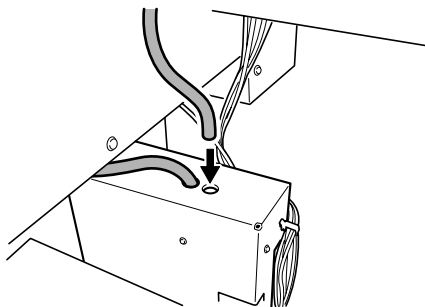
2



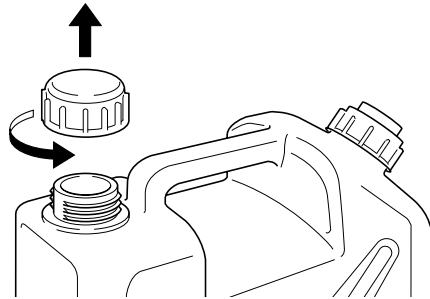
Use caution, because discharged fluid used in inspection may remain.

Store the stopper, because this is needed again when transporting the machine for relocation or the like.

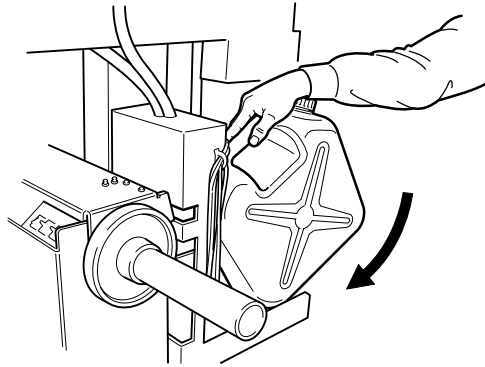
3



2. Remove the lid from the drain bottle.

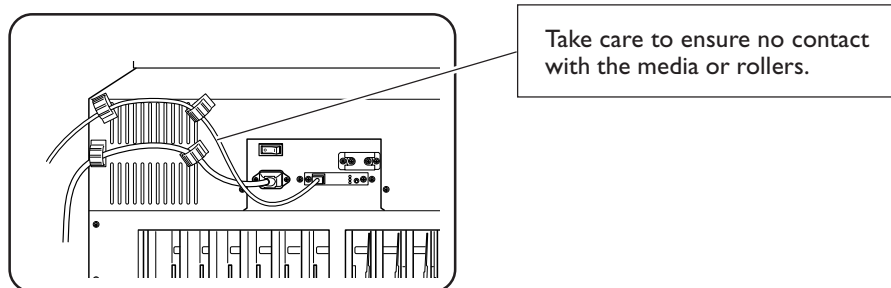
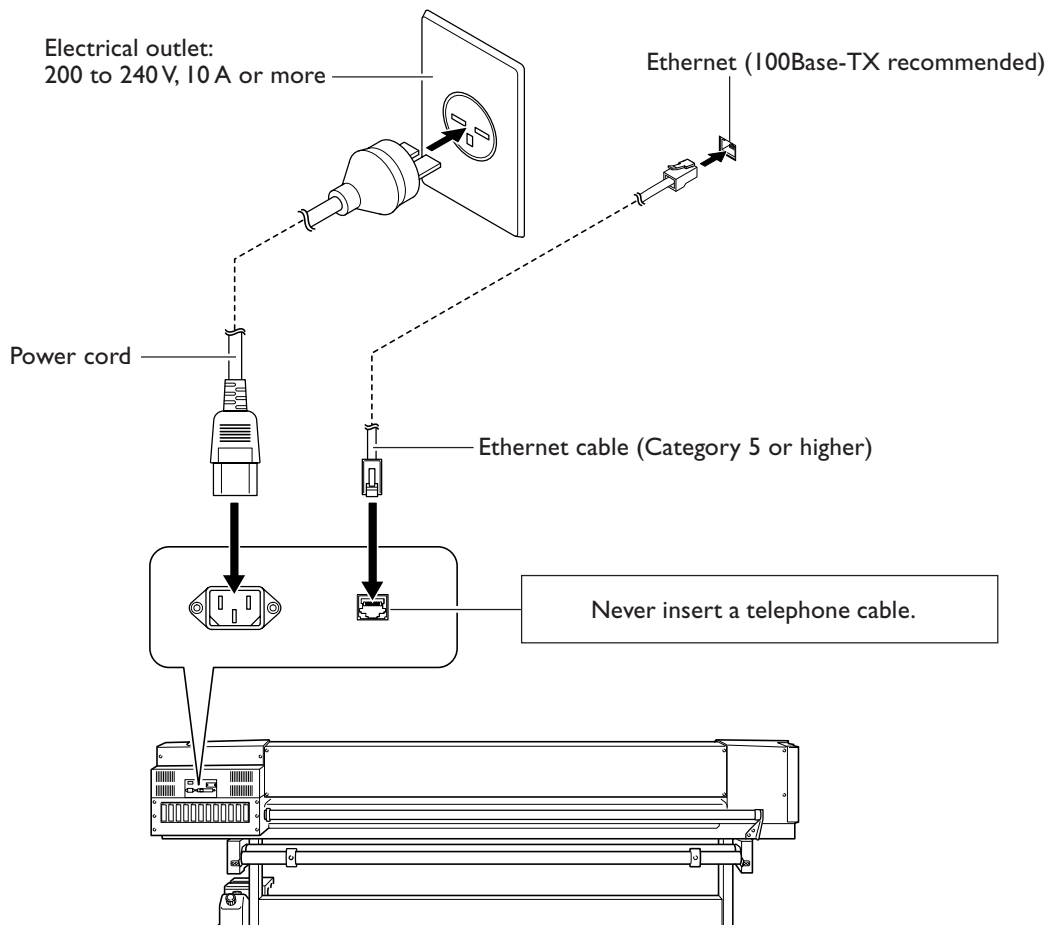


3. Install the drain bottle.



Connecting the Cables

- ⚠ WARNING** Do not use with any electrical power supply that does not meet the ratings displayed on the unit.
Use with any other power supply may lead to fire or electrocution.
- ⚠ WARNING** Ground the unit with the ground wire.
Failure to do so may result in risk of electrocution in the event of a mechanical problem.
- ⚠ CAUTION** Perform this task with all power switches left switched off.
Otherwise sudden movement of the machine may cause injury.



Important Notes on the Power Cord

This machine carries a high current of a maximum of approximately 10 amperes. Failure to observe the following requirements in particular may lead to an accident that could not occur with low-power equipment.

- ⚠ WARNING** **Never damage the power cord or pull it with force.**
Doing so may tear the cord's insulation, causing an electrical short and resulting in electrical shock, electrocution, or fire.
- ⚠ WARNING** **Never place any object on the power cord, bend the power cord using excessive force, or allow the power cord to become deformed.**
The cord carries a high current of approximately 10 amperes. If it becomes deformed, the deformed location may grow hot and cause fire.
- ⚠ WARNING** **Never use the machine with the power cord bound into a bundle or roll.**
The cord carries a high current of approximately 10 amperes. If the cord is in a bundle or roll, it may grow hot and cause fire.
- ⚠ WARNING** **Never use any power cord other than the power cord included with the machine. Also, never use a power strip or extension cord.**
The cord carries a high current of approximately 10 amperes. The power strip or extension cord may grow hot and cause fire.
- ⚠ WARNING** **Do not use with a damaged power cord or plug, or with a loose electrical outlet.**
Doing so may lead to fire, electrical shock, or electrocution.

5. Installing the Ink Cartridges

Filling with Ink for the First Time

Special procedures are required when installing ink cartridges for the first time. These are required only once, when installing ink cartridges for the first time after shipment from the factory.

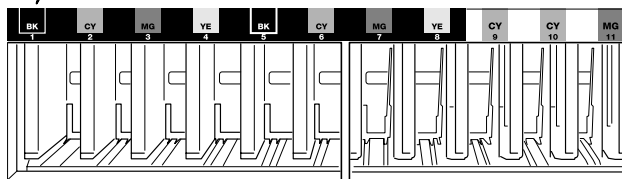
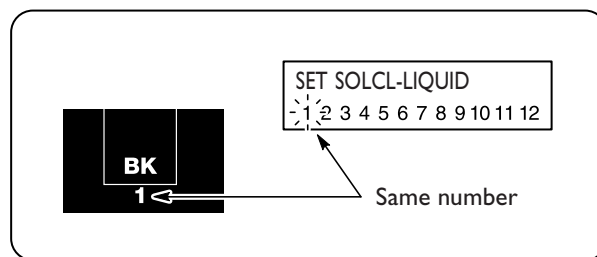
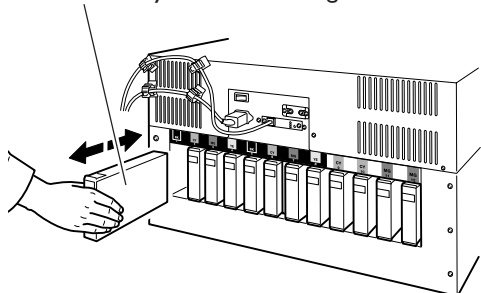
You first clean the print heads using cleaning fluid, then fill with the inks of the various colors. This operation requires eight SOL INK cleaning cartridges.

Never under any circumstances use anything other than the specified type of ink or cleaning fluid.

Installing the Ink Cartridges

Be sure to follow the on-screen instructions for insertion and removal.

- Keep the labeled side face up.
- Insert and remove slowly, one at a time.
- Insert firmly, as far as it will go.



During cleaning, you insert and remove cartridges several times. The on-screen messages indicate which to insert and remove, and when to insert and remove them.

Insert each color ink cartridge into the slot labeled with the matching color. The cleaning cartridges are not differentiated by color.

⚠ CAUTION

In this procedure, never switch on any power switch except as instructed.

Sudden movement of the media take-up system or the like may cause injury, or heat from the dryer may cause burns.

⚠ CAUTION

Never insert your hand or fingers into the opening of the front cover.

The print heads move at high speed inside the cover. Contact may cause injury.

⚠ WARNING

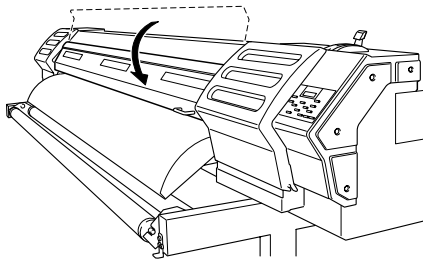
Never place ink, cleaning liquid, or discharged fluid in any of the following locations.

- Near open flame
- In a hot location, such as near a heater or on the machine's platen or dryer
- Near bleach, chemicals, explosives, or the like

Doing so may cause fire.

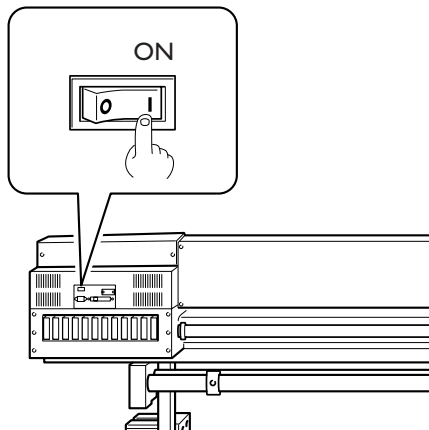
1. Switch on the power and make the initial settings.

1



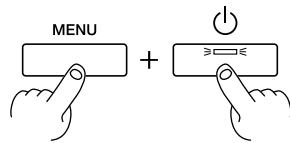
Close the front cover.

2



Switch on the main power switch.

3



Hold down **MENU** and press the sub power switch.

4



Use **▲** **▼** to select the language you want.
Press **ENTER**.

5



Use **▲** **▼** to select the unit of measurement you want (for length).
Press **ENTER**.

6



Use **▲** **▼** to select the unit of measurement you want (for temperature).
Press **ENTER**.

2. Clean the heads using the cleaning cartridges.

① SELECT INK TYPE
ECO-SOL CMYKMC ↵

Make sure the ink type matches the ink cartridges.
Press **ENTER**.

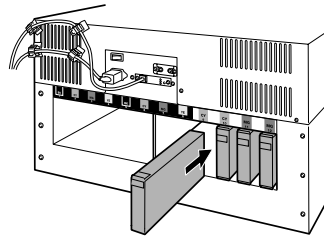
② INSTALL
DRAIN BOTTLE ↵

Make sure the drain bottle is installed.
Press **ENTER**.

③ SET SOLCL-LIQUID
9 10 11 12
↓ Flashing

Insert cleaning cartridges into slots 9, 10, 11 and 12.

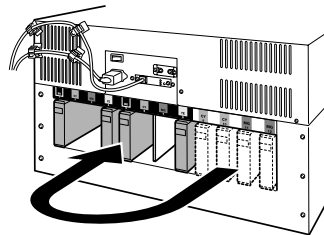
FILLING INK...
Approx. 5 minutes



④ REMOVE SOL CL
9 10 11 12
↓ Flashing

① Pull out the cleaning cartridges.
② Insert the cleaning cartridges **YOU PULLED OUT** into slots 1, 4, 5 and 8.

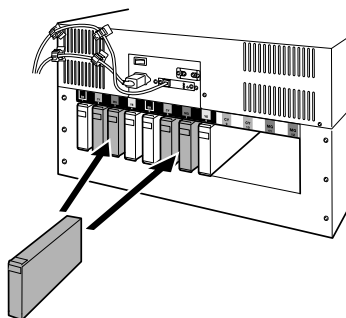
SET SOLCL-LIQUID
1 4 5 8
↓ Flashing
FILLING INK...
Approx. 5 minutes



⑤ SET SOLCL-LIQUID
1 2 3 4 5 6 7 8
↓ Flashing

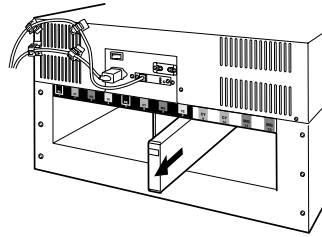
Insert **NEW** cleaning cartridges into slots 2, 3, 6 and 7.

FILLING INK...
Approx. 5 minutes



⑥ REMOVE SOL CL
1 2 3 4 5 6 7 8
Flashing ↓
FILLING INK...
Approx. 10 minutes

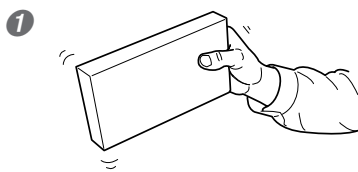
Pull out the cleaning cartridges.



⑦ SET SOL CRT.
1 2 3 4 5 6 7 8 9 10 11 12
Flashing

When this screen appears, cleaning is finished.

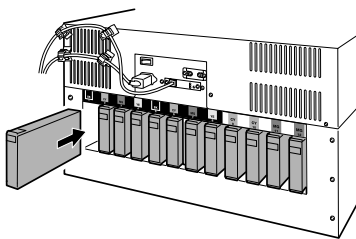
3. Insert the ink cartridges for the respective colors.



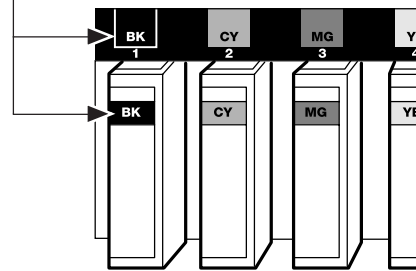
Before you insert the ink cartridge for each color, gently shake the cartridge.

② SET SOL CRT.
1 2 3 4 5 6 7 8 9 10 11 12
Flashing ↓
FILLING INK...
Approx. 10 minutes

Insert the ink cartridge for each color.



Insert into the slot of the matching color.



③ EMPTY
DRAIN BOTTLE ↵

Empty the drain bottle.
Press **ENTER** .

5. Installing the Ink Cartridges

Disposal of Discharged Ink

Dispose of discharged fluid properly, in accordance with the laws in effect in your locale.

Discharged fluid is flammable and contains toxic ingredients. Never attempt to incinerate discharged fluid or discard it with ordinary trash. Also, never dispose of it in sewer systems, rivers, or streams. Doing so may have an adverse impact on the environment.

WARNING

Never place ink, cleaning liquid, or discharged fluid in any of the following locations.

- **Near open flame**
- **In a hot location, such as near a heater or on the machine's platen or dryer**
- **Near bleach, chemicals, explosives, or the like**

Doing so may cause fire.

CAUTION

To store discharged fluid temporarily, place it in the included drain bottle or in a durable sealed container such as a metal can or polyethylene tank, and cap tightly.

Any spillage or vapor leakage may cause fire, odor, or physical distress.

 **Roland**



26015558

R1-050302