

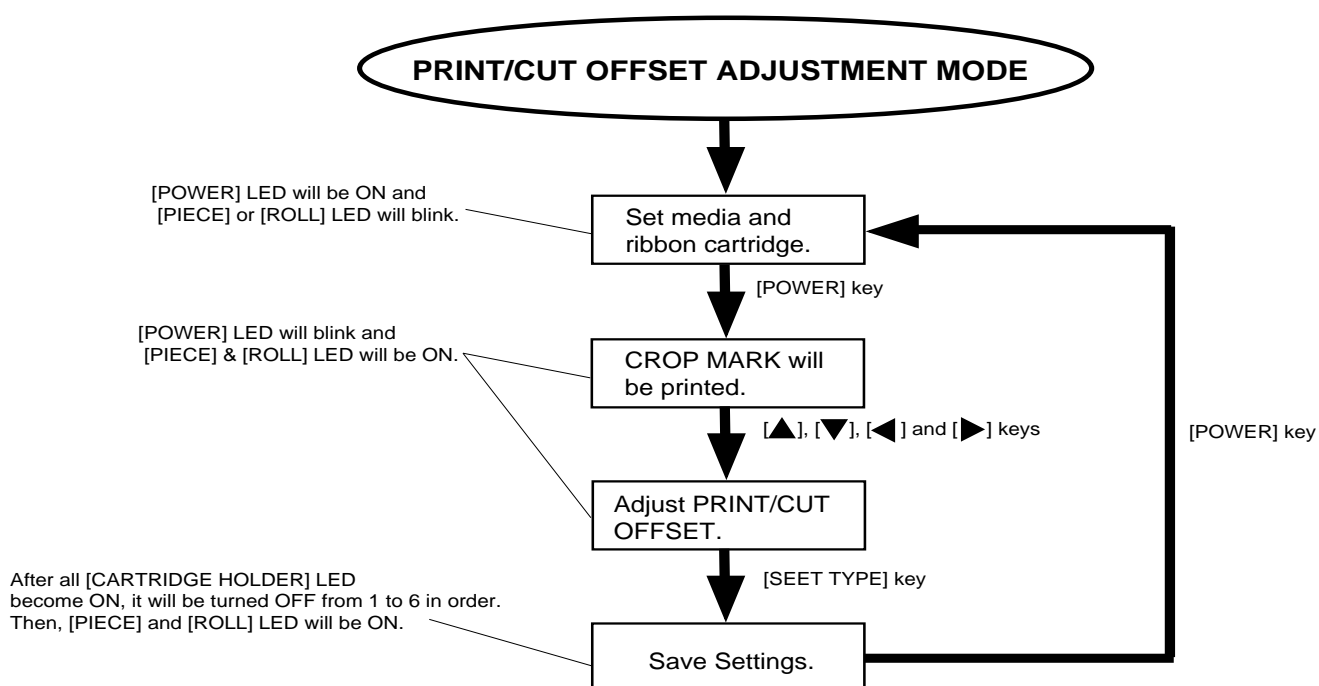
4-13 PRINT/CUT OFFSET ADJUSTMENT



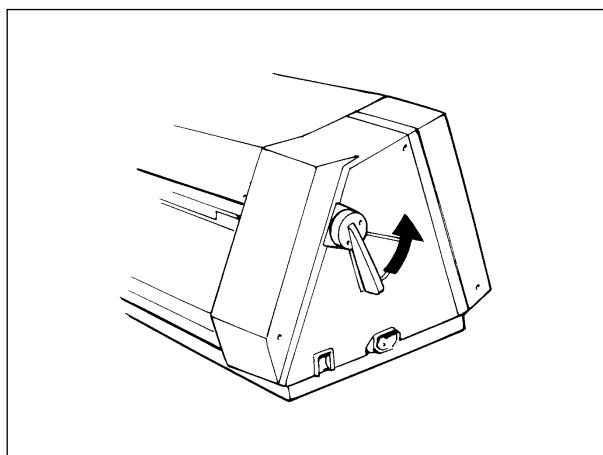
PRINT/CUT OFFSET ADJUSTMENT is designed to ensure the relation of printing and cutting position. This adjustment must be performed after replacement of the TOOL CARRIAGE, HEAD CARRIAGE and MAIN BOARD. It is necessary to enter the PRINT/CUT OFFSET ADJUSTMENT MODE in the FACTORY MODE to perform this adjustment.

[PRINT/CUT OFFSET ADJUSTMENT MODE FLOW CHART (in Factory Mode)]

4



- 1 Raise the SHEET LOADING LEVER.

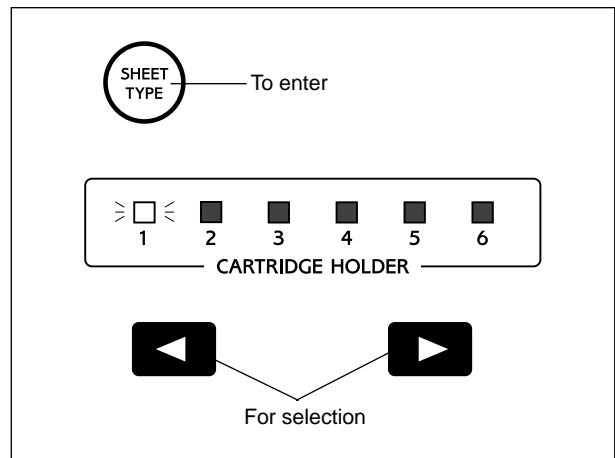


- 2** Set the BLACK RIBBON CARTRIDGE, MEDIA and 0.2 mm CERAMIC PEN on the machine.

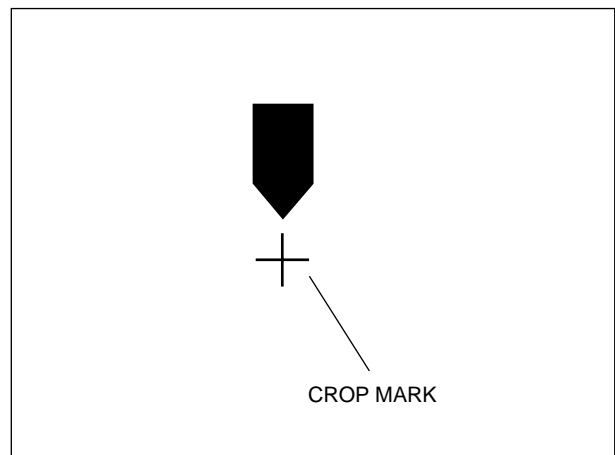


Other RIBBON CARTRIDGE except the BLACK can not be used.

- 4** **3** Turn on the MAIN POWER SW while pressing [POWER], [SHEET TYPE] and [BASE POINT] keys and enter the FACTORY MODE.
Select [CARTRIDGE HOLDER 1] with [◀] or [▶] keys and press [SHEET TYPE] key to enter the PRINT/CUT OFFSET ADJUSTMENT MODE.



- 4** Lower the SHEET LOADING LEVER and close the FRONT COVER. Keep pressing the [POWER] key until the [POWER] LED starts blinking.
CROP MARK will be printed and the TOOL CARRIAGE will move close to the CROP MARK.



- 5** Open the FRONT COVER.
Move the TOOL CARRIAGE with the cursor keys so that the pen tip will come right onto the CROSS of the CROP MARK when pushing it down with your finger.
Press the [SHEET TYPE] key to save the settings.
Turn off the MAIN POWER SW to end.

