

# PC-600 Roland

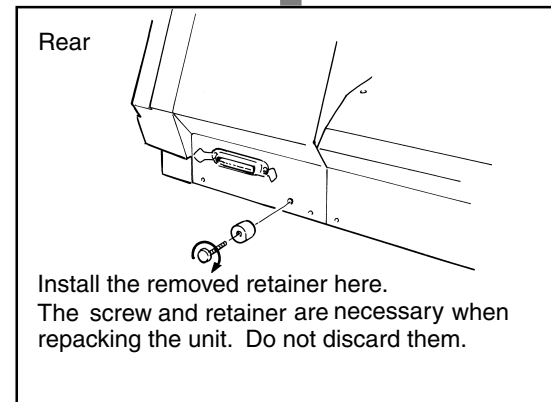
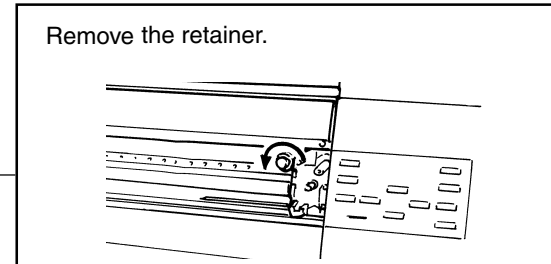
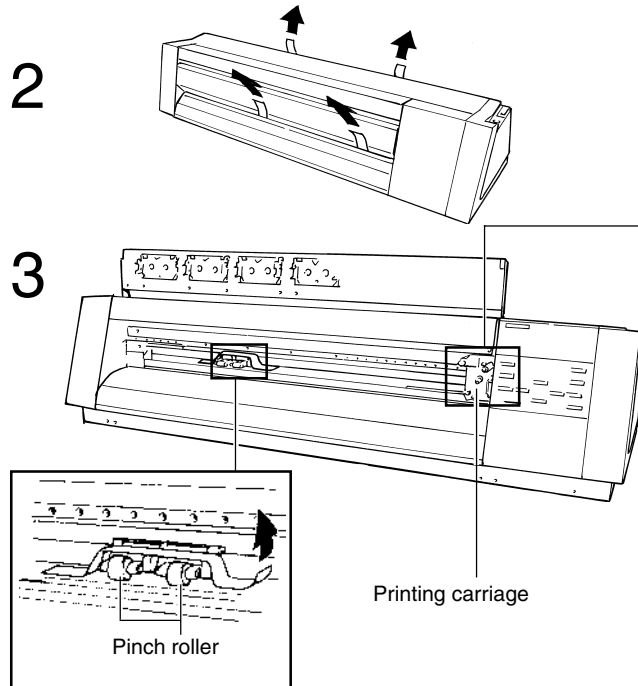
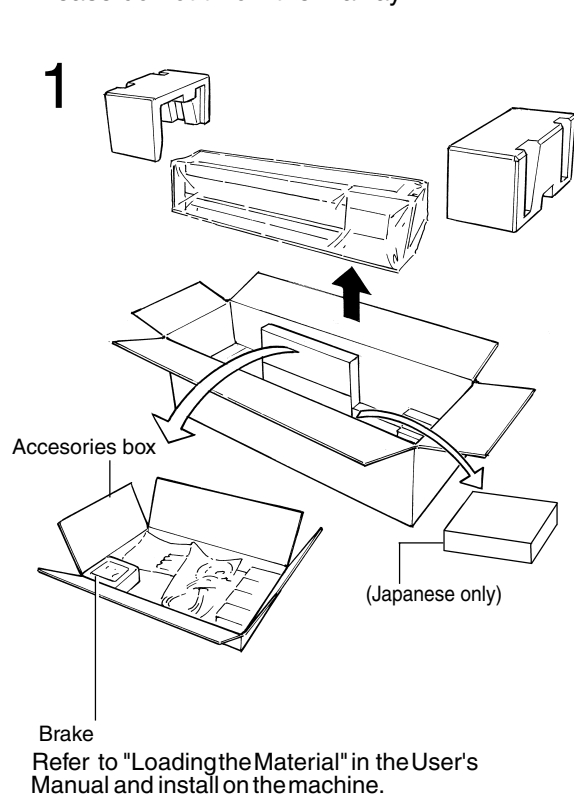
## Unpacking and Repacking

### CAUTION

Unpacking, installing, or relocating the unit are operations which must be carried out by two or more persons holding the unit at its bottom surface on the left and right sides. Failure to do so may result in dropping the unit, leading to injury.

### How to Unpack the PC-600

The packings will be needed if you must repackage the product. Please do not throw them away.



### How to Repack the PC-600

Repack the PC-600 in the reverse order of this procedure.