

# PNS-135 ASSEMBLY INSTRUCTIONS



## Accessories

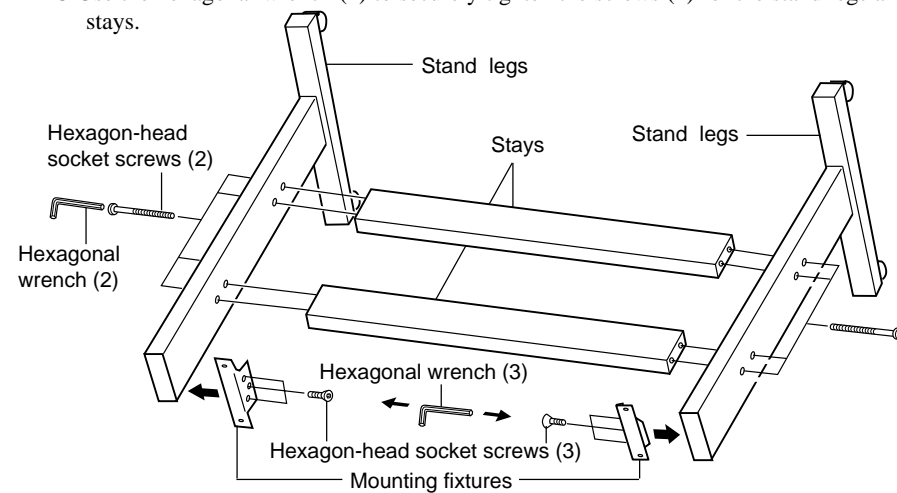
<p>Stand legs: 2</p>	<p>Stay: 2</p>	<p>Mounting fixture: 2</p>	<p>Hexagon-head socket screws (1) : 4 (for mounting the main unit)</p>	<p>Hexagon-head socket screws (2) : 8 (for stand assembly)</p>	<p>Hexagon-head socket screws (3) : 10 (for mounting the sheet hangers and mounting fixtures)</p>
	<p>Shafts: 2</p>	<p>Sheet hangers (L/R): 2</p>	<p>Hexagonal wrench (1) : 1 (for screws (1))</p>	<p>Hexagonal wrench (2) : 1 (for screws (2))</p>	<p>Hexagonal wrench (3) : 1 (for screws (3))</p>

## Assembly Instructions

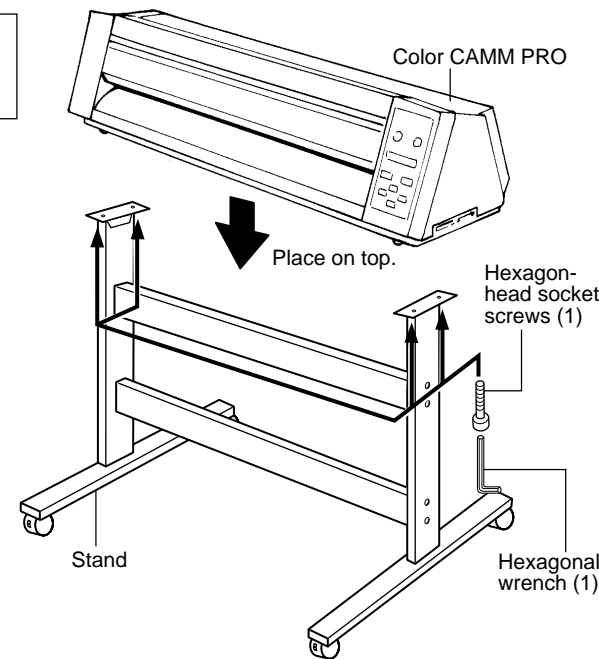
- ⚠ CAUTION** Unpacking, installation, and moving must be carried out by two or more persons. Failure to do so may result in falling of the unit, leading to injury.
- Use the joining screws to secure the unit to the stand. Failure to do so may result in falling of the unit, leading to injury.
- Use care to avoid pinching the fingers when placing the unit on the stand. Doing so may result in injury.

1

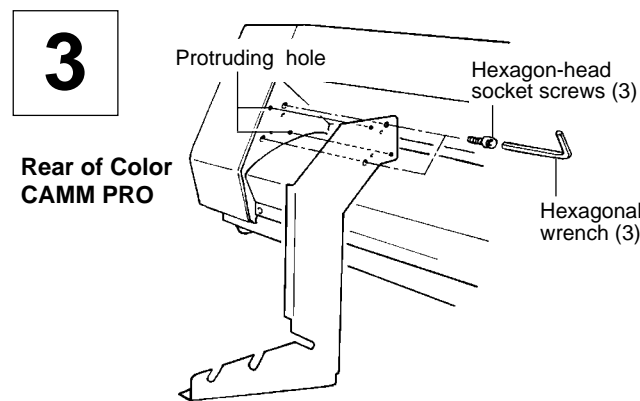
- 1 Refer to the figure below to stand up the stand legs, and position the stays against the stand legs so that the stays are lined up with the holes.
- 2 Tighten the hexagon-head socket screws (2) for the stand legs and stays so that they are finger-tight.
- 3 Install the mounting fixtures on the ends of the stand legs.
- 4 Carefully swing the stand upright so that its feet are on the floor.
- 5 Use the hexagonal wrench (2) to securely tighten the screws (2) for the stand legs and stays.



2

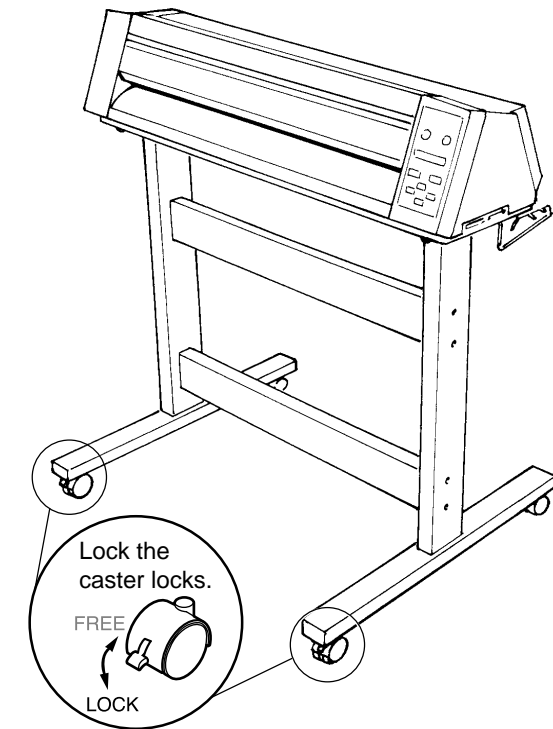


3



## Installation

The required installation spaces for each model are listed below.  
 1500 mm (59-1/16") high, 1500 mm (59-1/16") wide,  
 and 750 mm (29-1/2") depth  
 Also, because the sheet moves during cutting, be sure that no obstacle is located any closer than 600 mm (23-5/8") to the front or back of the unit.



\* The shafts are required to load roll material. To install, please refer to the User's manual included with the Color CAMM PRO.