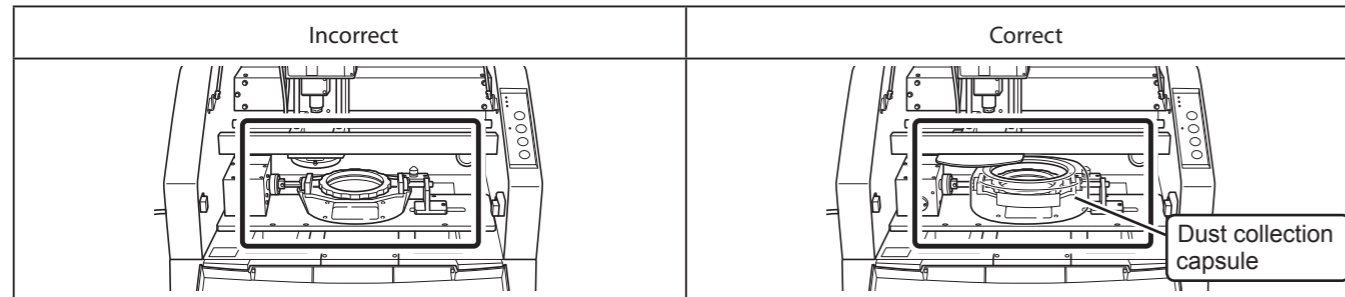


Be Sure to Read This First

This document describes corrections and additions to the User's Manual. As they are necessary to ensure proper and safe use of this machine, please be sure to read this document first in using this machine.

[Correction] Dust Collection Capsule and Dust Collecting Performance

This machine is equipped with a dust collection capsule to enhance its dust collecting performance. As the illustration of this feature in the User's Manual is not consistent with the actual structure, the illustration should be corrected as below.



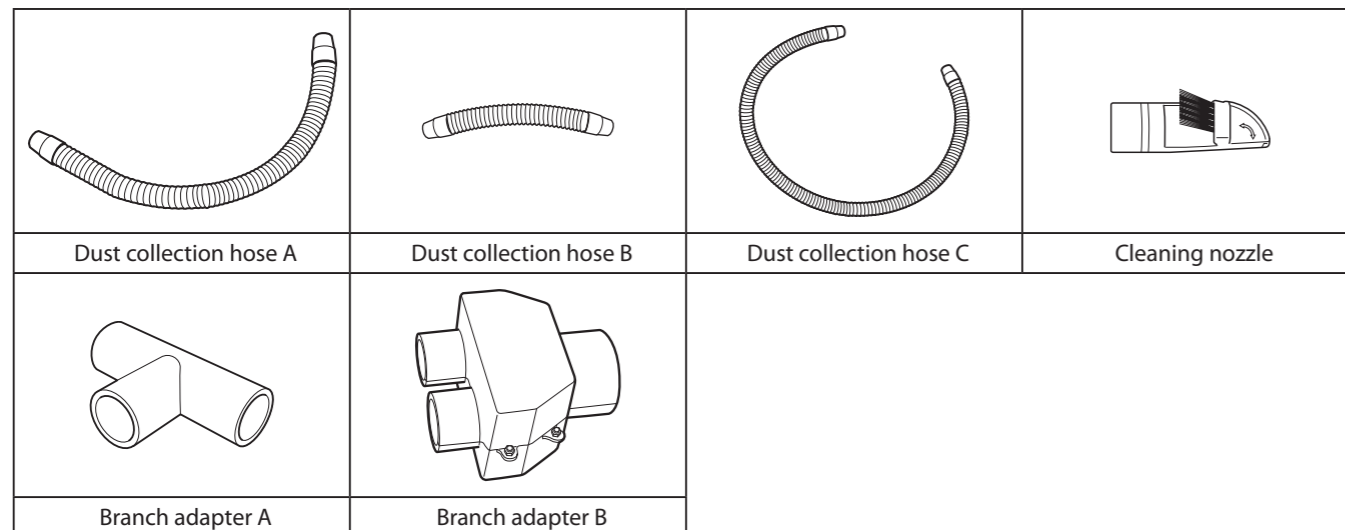
[Addition] Operating Suggestions for Dust Collection Capsule

Please follow the below instructions.

- Remove the cover in performing "Detection of the Jig Location" (on page 68 of the User's Manual).
If the cover is on during the process of detecting the jig location, it may come in contact with the detection pin and result in the machine damage.
- Install the cover in cutting.
The dust collection capsule is needed to vacuum cutting dust made during the cutting operation. Without the cover, the machine cannot perform at its full potential in collecting dust

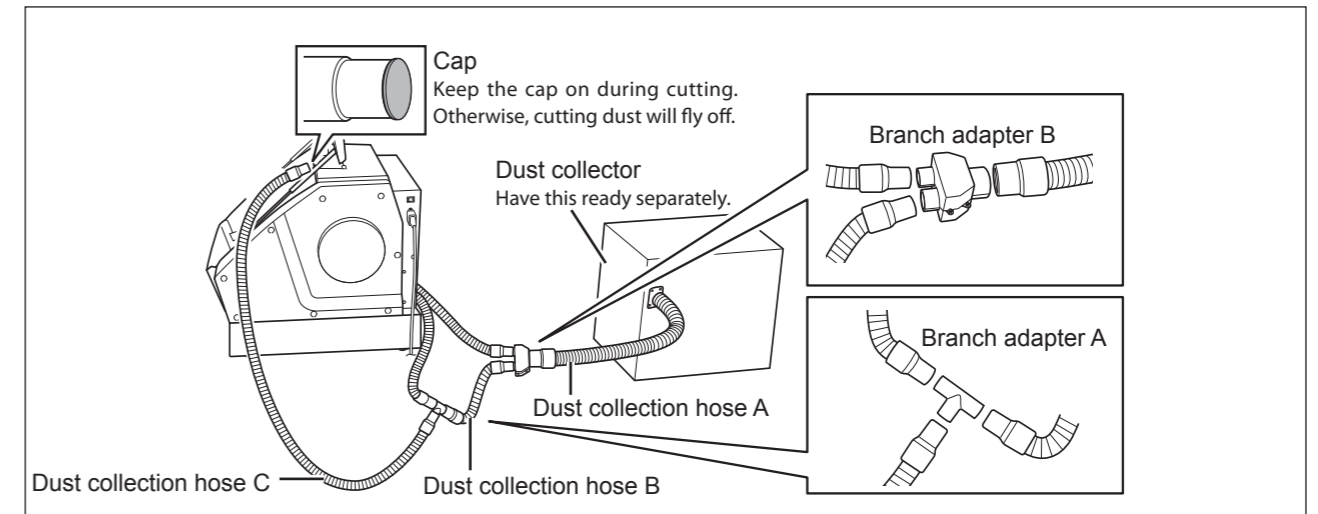
[Addition] Included Items

In addition to the accessories described in the User's Manual, the following items are actually accompanying. Make sure they are all present and accounted for.



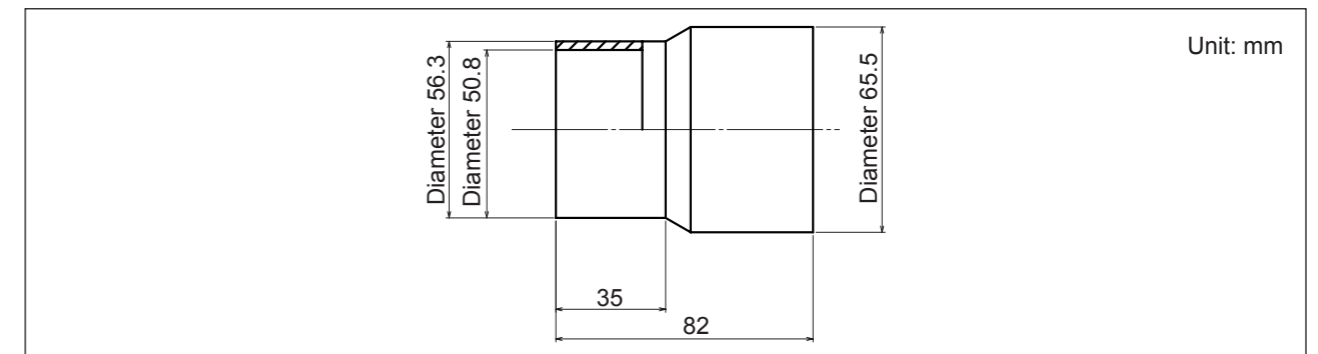
[Addition] How to Connect the Dust Collection Hoses

Connect the dust collection hoses as shown in the illustration.



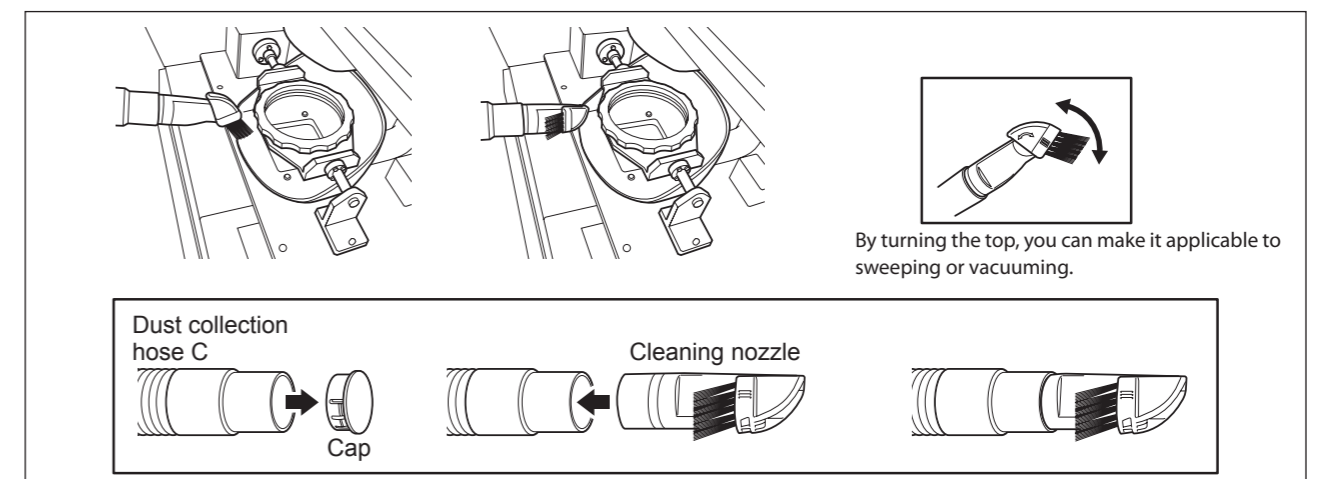
[Correction] Opening Size to Connect a Dust Collector

The dimensions described in "Opening Size to Connect a Dust Collector," on page 96 of the User's Manual, are at variance with the facts. The actual dimensions are as follows.



[Addition] How to Clean Inside the Dust Collection Capsule

When cutting is finished, fix the cleaning nozzle to the dust collection hose C and remove the cover of the dust collection capsule to clean the machine.



DOC-0861