



Color CAMM PRO

by ROLAND DIGITAL GROUP

User Maintenance Guide

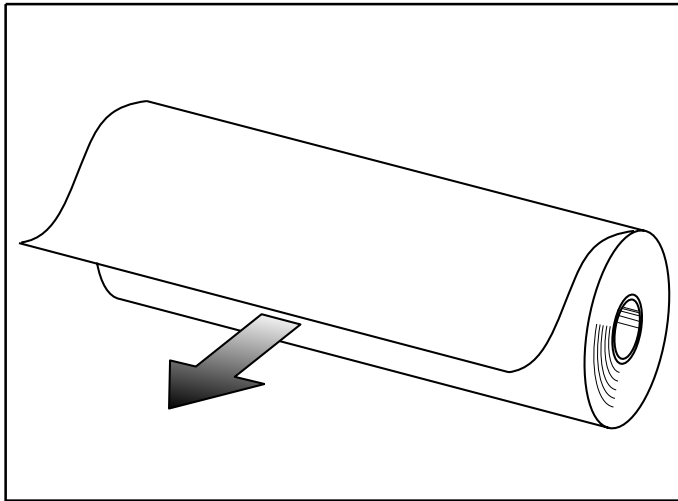
How to ...

- 1 - clean the sheet
- 2 - clean the Print Head by Cleaning Pen
- 3 - exchange the Cleaning Pad
- 4 - clean the Print Head by Cleaning Sheet
- 5 - store the sheet

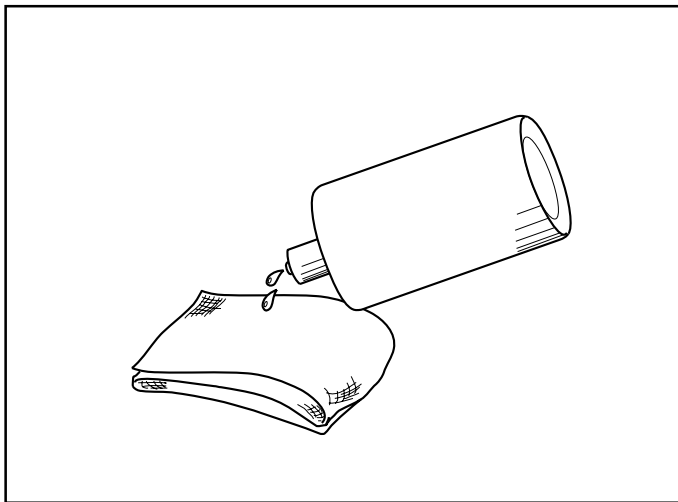
The instructions in this guide are not only for producing high quality printing results, but also to prevent the Print Head from being consumed or broken. Please read this guide carefully to properly perform the periodic cleaning.

1 - Clean the sheet and Cleaning Pad

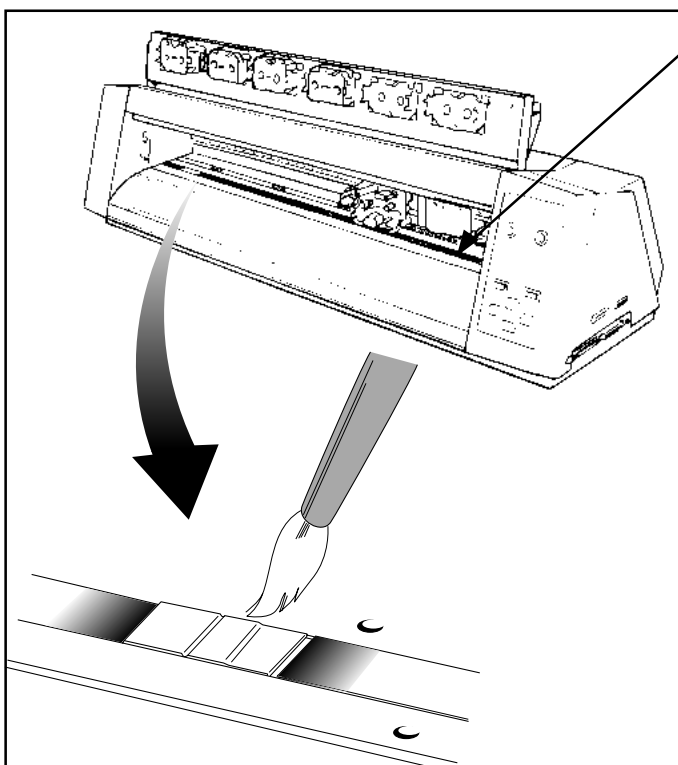
Make sure to clean the sheet every time before printing. Dust or oil on the surface of the sheet could result in poor printing results. Also, particles of hard materials such as sand could result in damage to the print head.



Pull out the amount to be used for printing. This can be performed most easily if you set the sheet on the PC-60 after powering off.



Wipe the surface of the sheet strongly with a cloth soaked in alcohol to remove the dust and oil. Please use a cloth which produces little or no fiber dust. Make sure not to put alcohol on the PLATEN.



Check and make sure that the CLEANING PAD is not dirty. If there is dust, please remove it with a brush.

2 - Clean the Printing Head with Cleaning Pen

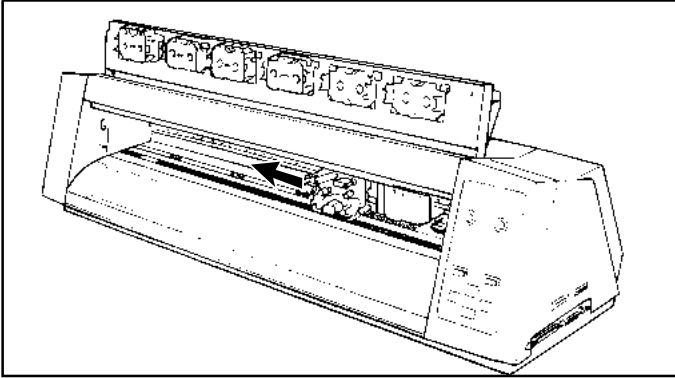
Perform this cleaning only when you have scratchy printing or fine lines across the image.

1



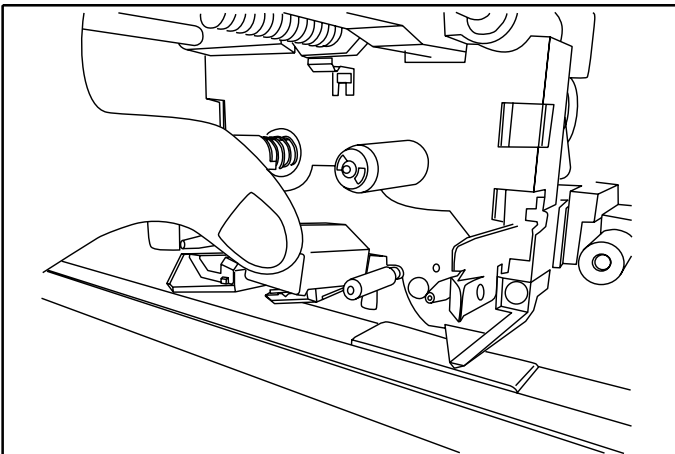
Turn off the sub power by pressing  key.

2



Open the front cover and move the printing head to the left side of the machine.

3

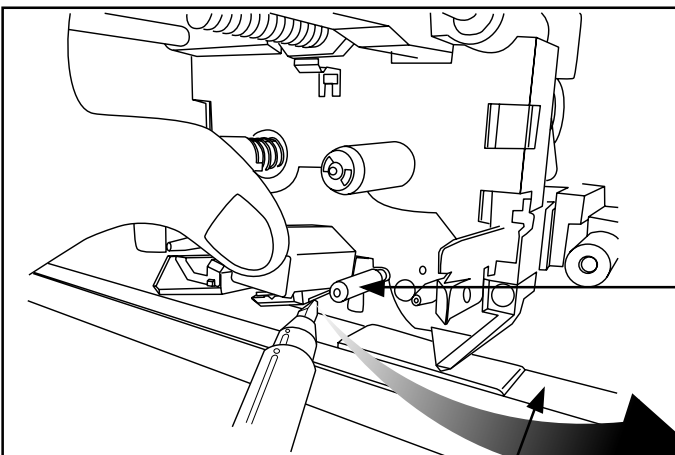


Raise the head cover with your finger.

NOTE !

Do not raise the cover too forcefully or the head could break.

4



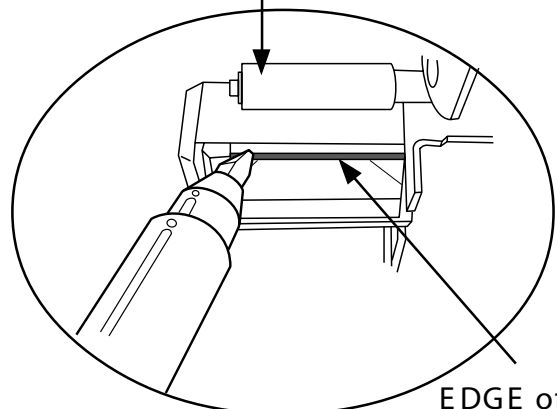
Clean the edge of the printing head with the cleaning pen. It is not necessary to clean the bottom part.

NOTE !

Make sure not to make contact to the rubber roller with cleaning pen.

NOTE !

Make sure not to make contact to the platen with cleaning pen.

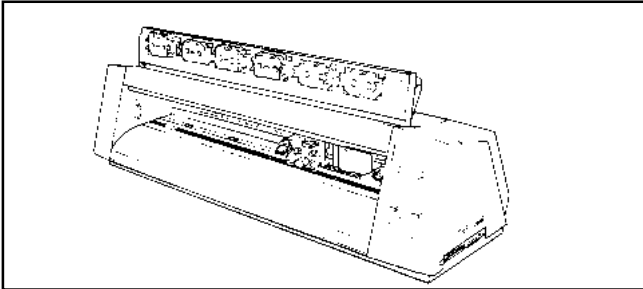


EDGE of HEAD

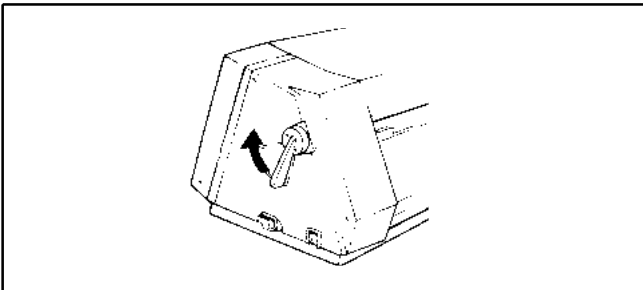
Perform this cleaning only when you have scratchy printing or fine lines across the image.



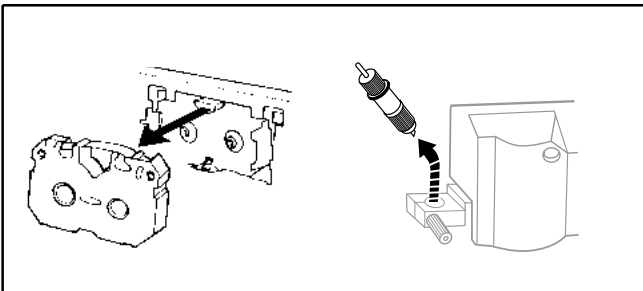
Turn off the sub power by pressing  key.



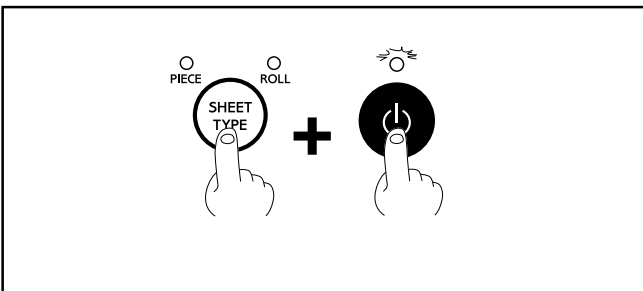
Open the front cover.



Raise the sheet loading lever.
Unload the sheet from the machine.

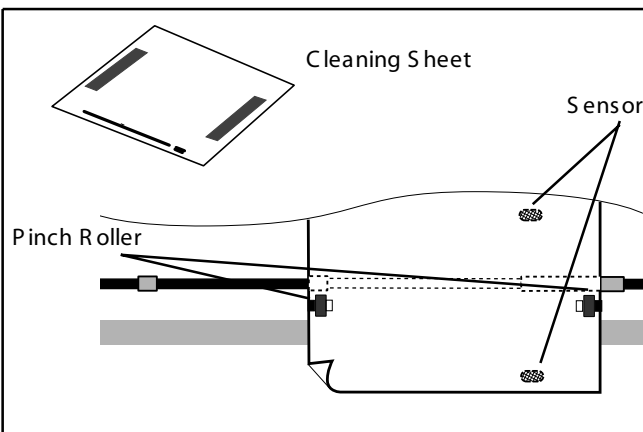


Take out the ink ribbon cartridge and remove the blade holder.



While pressing the SHEET TYPE key, turn on the sub power by pressing  key.

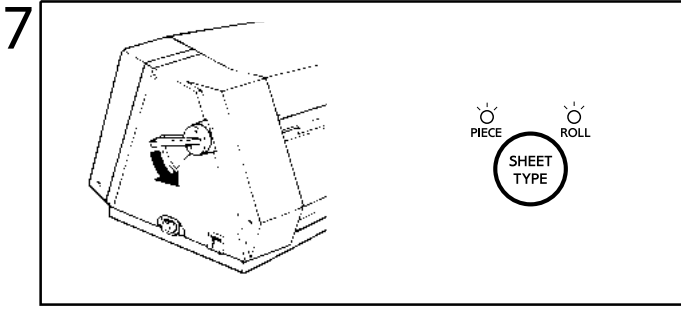
6



Position the material, the pinch rollers, and the grit rollers at the locations shown above.

Position the sheet, pinch rollers, and the grit rollers at the locations shown in the figure.

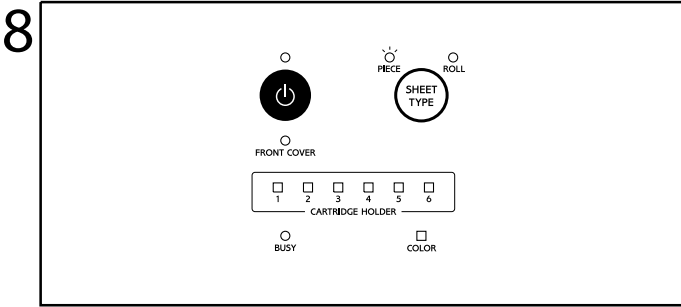
Pinch rollers should be on the black lines on the cleaning sheet. Also make sure that the sensors are covered.



Lower the sheet loading lever.

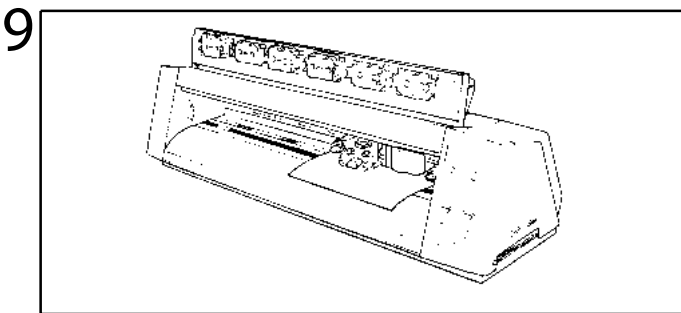
If the sheet is not loaded at the correct location, the PIECE and ROLL LEDs flash at the same time.

If this happens, reload the sheet at the proper location.

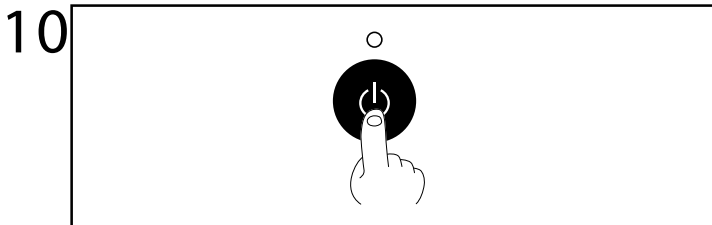



When the front cover is closed, head cleaning begins.

Head cleaning is finished when the BUSY LED goes dark and the PIECE LED flashes.



When cleaning is finished, raise the sheet loading lever and remove the sheet.

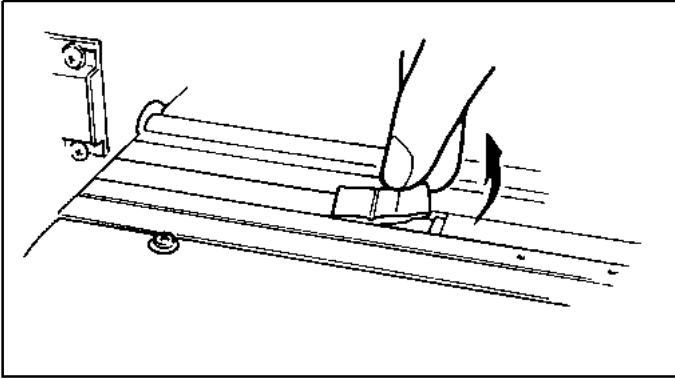


Turn off the sub power by pressing the  key.

4 - Exchange the Cleaning Pad

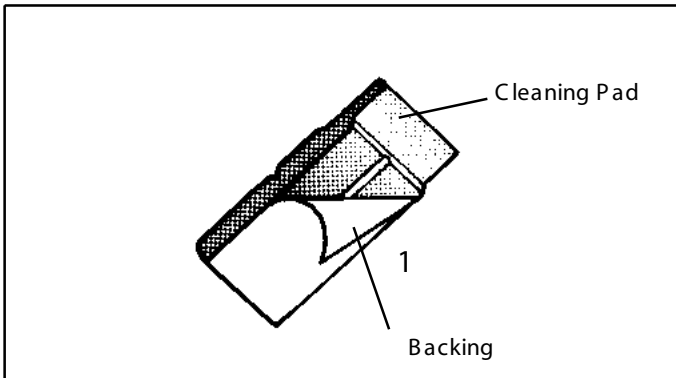
Make sure to replace the cleaning pad when it becomes dirty (turns brown) or fluffy. Using a dirty or fluffy cleaning pad could result in a damage to the head.

1



Remove the old cleaning pad from its right side.

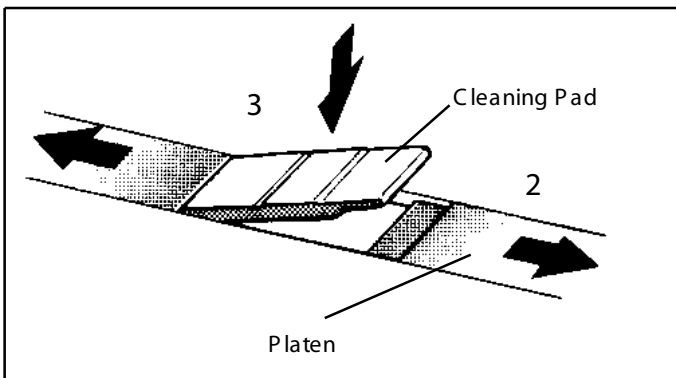
2



Affix the new cleaning pad.

1 Remove the backing of the cleaning pad.

3

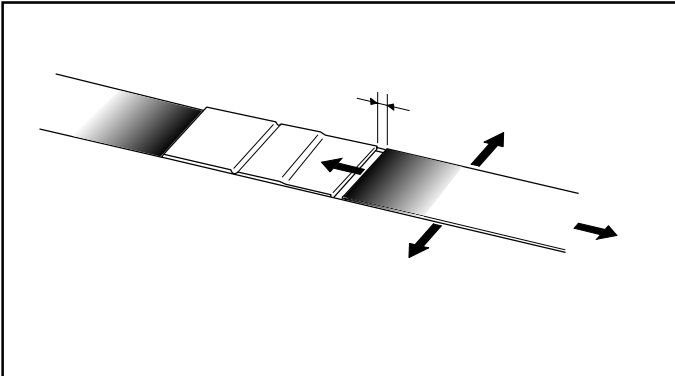


2 Move the platen to the right side.

3 Place the new cleaning pad by pushing it toward the left side.

** Make sure that the cleaning pad is not loose.

4



Check the following:

1. Make sure that there is a gap between the platen and the cleaning pad.
2. Make sure that the platen damper moves in 4 directions: left, right, front and rear.

If the platen doesn't move smoothly, it could cause poor printing results.