

# CX-500/400/300



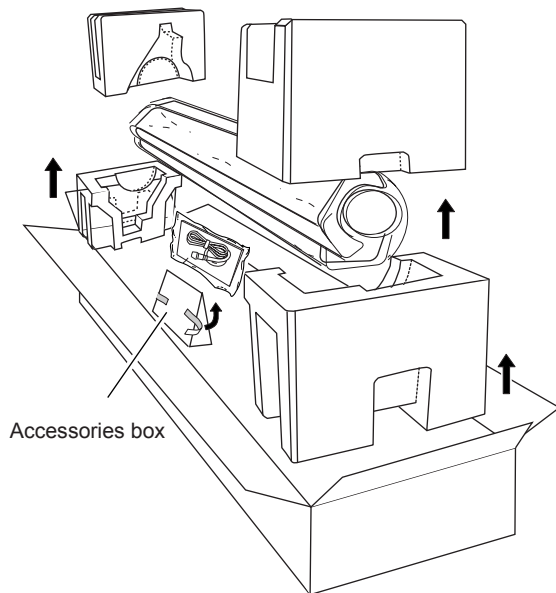
## Unpacking and Repacking

The illustrations in this manual depict the CX-500.  
The configuration of the CX-400/300 may differ slightly from what is shown.

### How to Unpack the CX-500/400/300

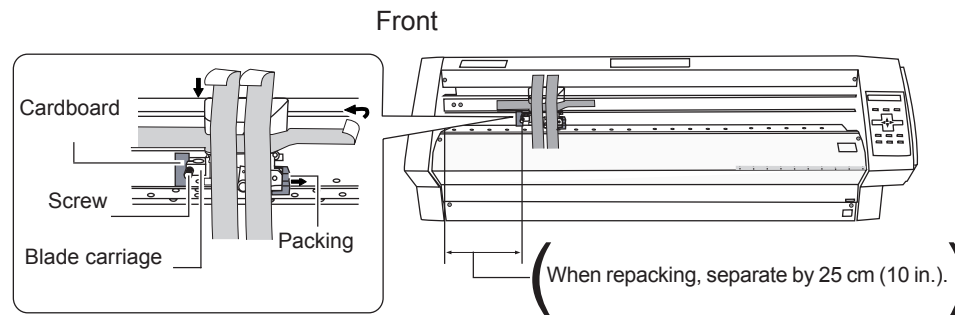
The packings will be needed if you must repackage the product.  
Please do not throw them away.

- 1 Take the unit out of the carton.

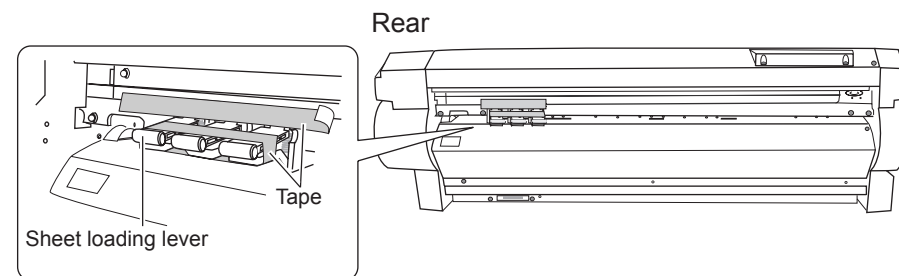


**CAUTION** Unpacking, installing, or relocating the unit are operations which must be carried out by two or more persons holding the unit at its bottom surface on the left and right sides.  
Failure to do so may result in dropping the unit, leading to injury.

- 2 Peel off the tape.



(When repacking, tighten the screw in place while lifting it up so as to sandwich the cardboard as shown in the figure. Make sure the blade carriage does not move up or down.)



### How to Repack the CX-500/400/300

Repack the machine in the reverse order of this procedure.